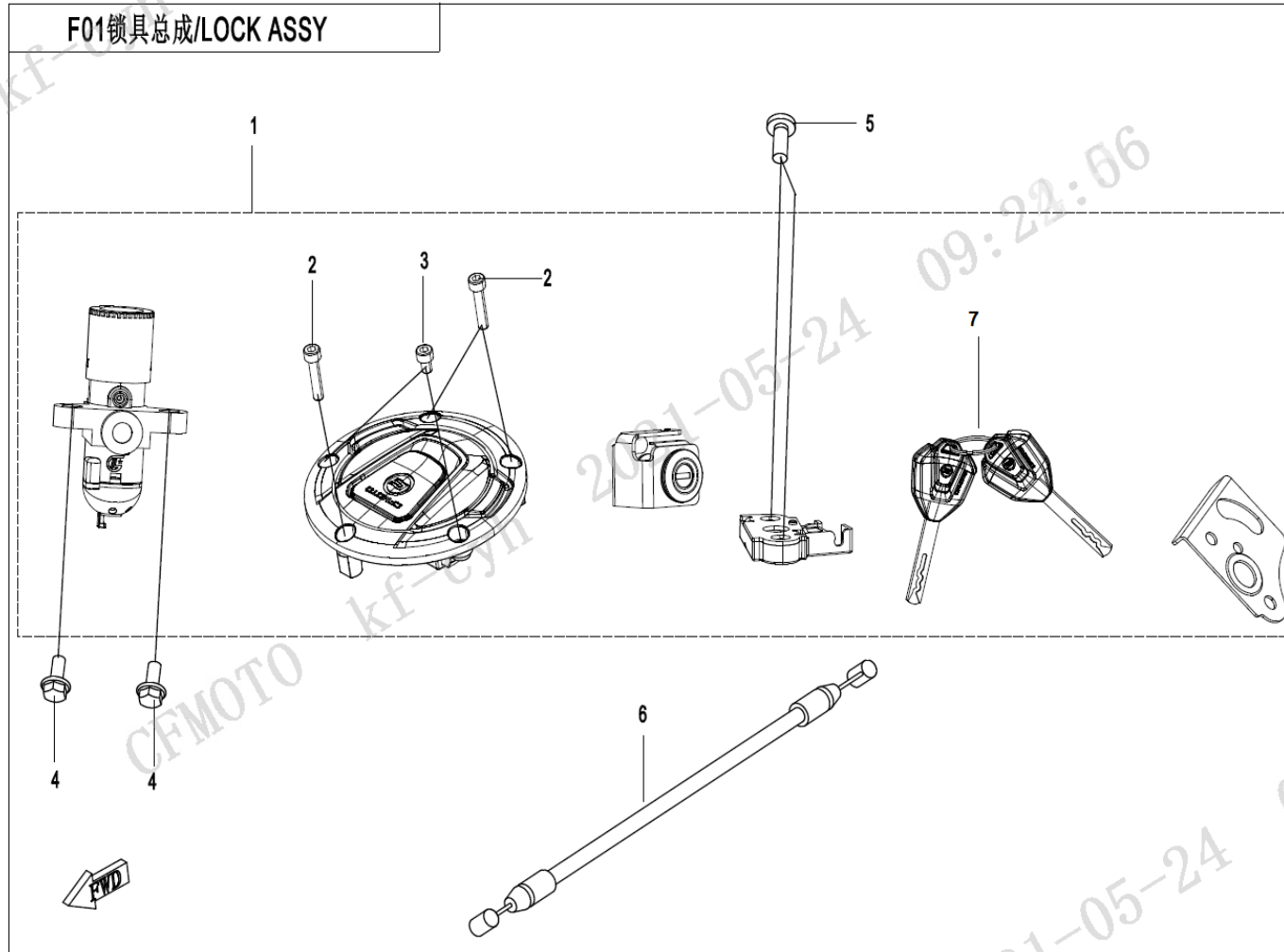


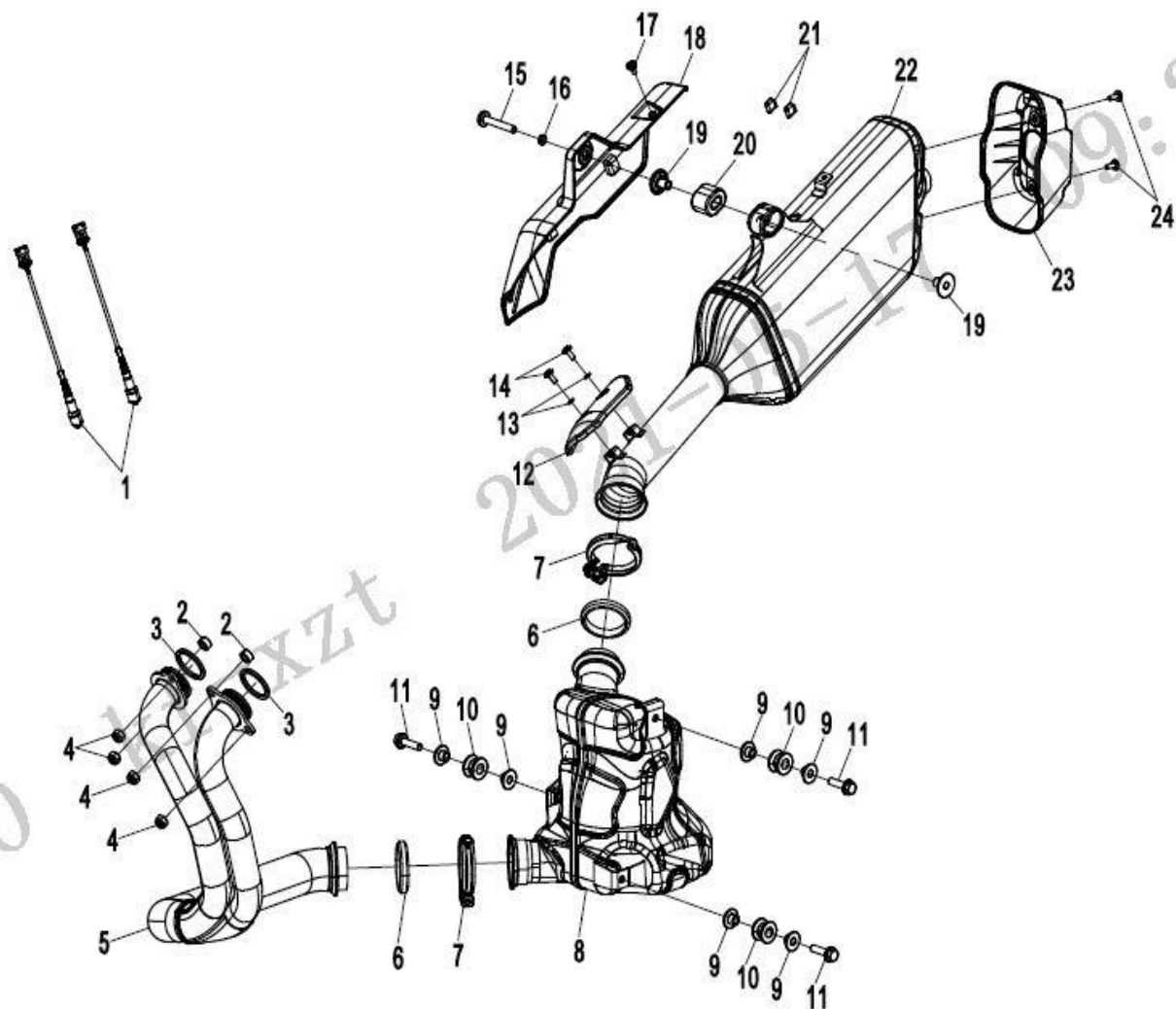
NO.	CODE	EN DESCRIPTION	QTY	REMARKS
F00-B-01	6WWV-046502-5000	STEPPED SCREW M5	3	
F00-B-02	6WWV-000102-5000	GUARD, SMALL SPROCKET	1	
F00-B-03	6WWV-046801-5000	INNER HEX SCREW M6x16	2	
F00-B-04	9010-160102	WASHER, HEADLIGHT	6	
F00-B-05	9010-160101	RUBBER MAT, HEADLIGHT	6	
F00-B-06	30006-060016870	BOLT M6x16	4	
F00-B-07	6WWV-000101-5000	LOWER GUARD, ENGINE	1	
F00-B-08	6WWV-000130-5000	FRONT BRACKET ASSY, GUARD	1	
F00-B-09	30102-060016810	SCREW	2	
F00-B-10	6WWV-000200-5000	FRONT BRACKET ASSY, GUARD	1	
F00-B-11	30102-080040810	SCREW M8x40	2	
F00-B-12	6WWV-0001A0-5000	LOWER GUARD, ENGINE	1	

F01 锁具 LOCK KIT



NO.	CODE	EN DESCRIPTION	QTY	REMARKS
F01-01	6WWV-011000-5000	LOCK KIT	1	
F01-02	30102-050025900	INNER HEX SCREW M5x25	3	
F01-03	30102-050008900	INNER HEX SCREW M5x8	2	
F01-04	30102-080020810	SCREW M8x20	2	
F01-05	30006-060022810	BOLT	2	
F01-06	6WWV-010010-5000	SEAT CABLE	1	
F01-07	6KMV-011020-B001	KEY	1	

排气消声器/ MUFFLER

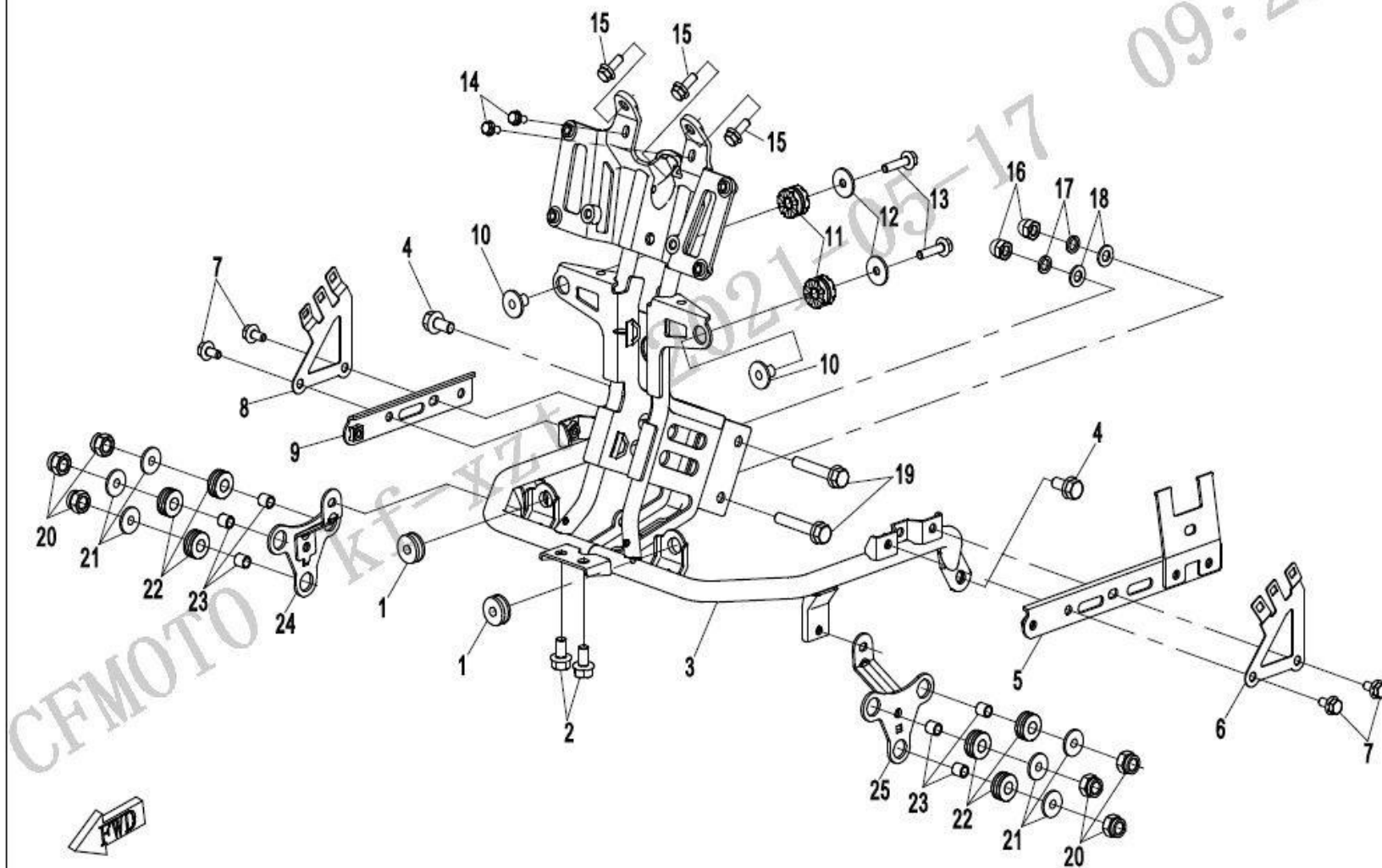


CFMOTO

2019-09-22:42

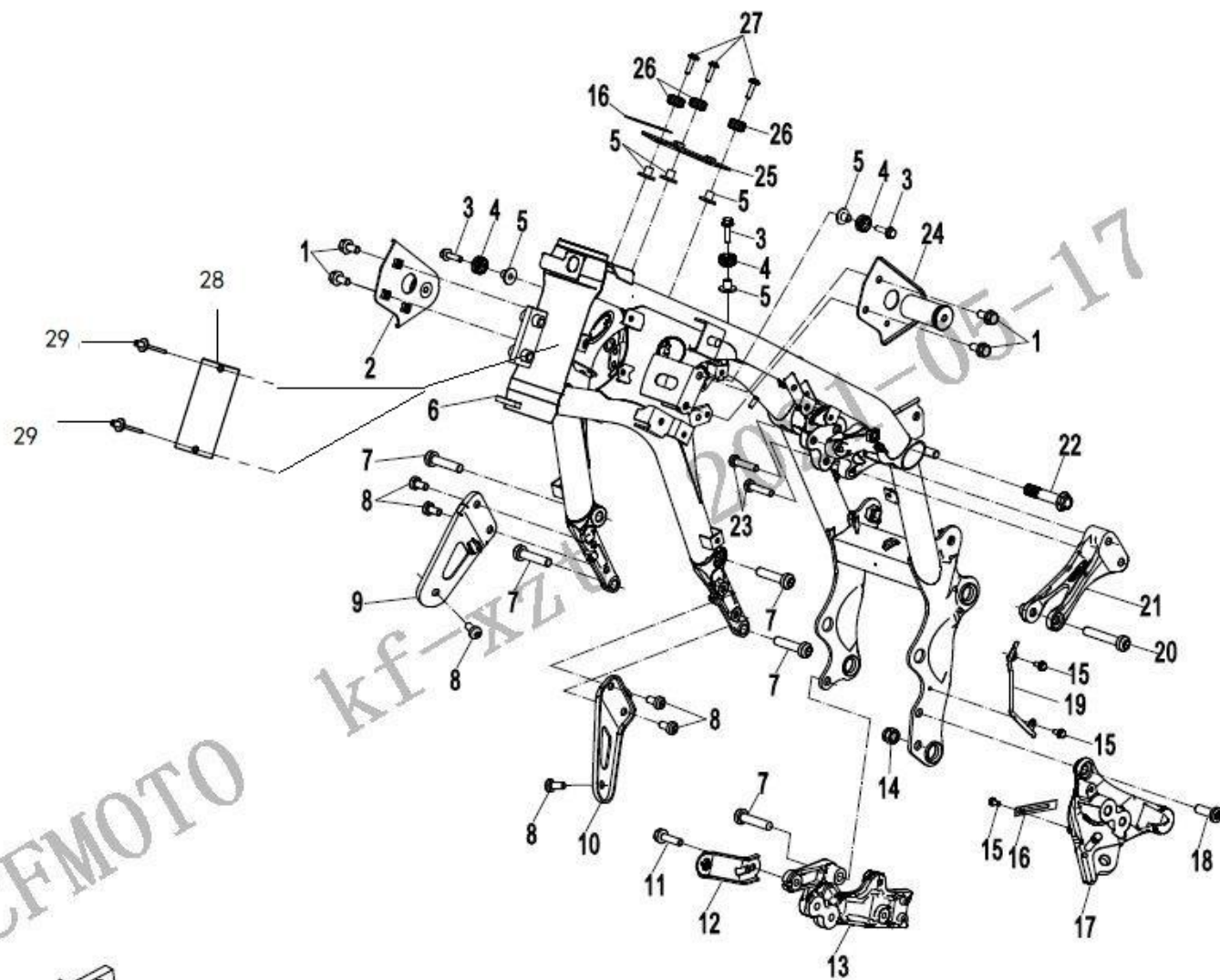
NO.	CODE	EN DESCRIPTION	QTY	REMARKS
F02-01	0HU0-176000	OXYGEN SENSOR	2	
F02-02	6WWV-020001-5000	BUSHING, EXHAUST PORT	2	
F02-03	6WWV-020004-5000	SEAL GASKET, EXHAUST	2	
F02-04	6L30-020005	LOCK NUT	4	
F02-05	6WWV-021100-5001	EXHAUST PIPE ASSY	1	
F02-06	6L30-021001	SEAL SLEEVE 1, GRAPHITE	2	
F02-07	6L30-021010	CALMP 1	2	
F02-08	6WWV-021200-5001	FRONT MUFFLER BODY	1	
F02-09	6WWV-020002-5000	BUSHING, MUFFLER BODY	6	
F02-10	6WWV-020003-5000	RUBBER SLEEVE, MUFFLER BODY	3	
F02-11	30006-080030810	BOLT M8x30	3	
F02-12	6WWV-021003-5000	REAR COVER, EXHAUST PIPE	1	
F02-13	30303-050042	WASHER	2	
F02-14	6NTA-040202	INNER HEX SCREW M5x12	2	
F02-15	6L30-020003	INNER HEX SCREW M8x52	1	
F02-16	6WWV-021004-5000	BUSHING, GUARD	1	
F02-17	6WWV-046502-5000	STEPPED SCREW M5	1	
F02-18	6WWV-021001-5000	GUARD, MUFFLER	1	
F02-19	6L30-020006	T-TYPE BUSHING	2	
F02-20	6L30-020001	DAMPING SLEEVE, MUFFLER	1	
F02-21	6GU#-021005-6000	GUARD RUBBER SLEEVE	2	
F02-22	6WWV-021300-5001	REAR MUFFLER BODY	1	
F02-23	6WWV-021002-5000	REAR COVER, MUFFLER	1	
F02-24	6WWV-047102-5000	INNER HEX SCREW M5x14	2	

前支架/FRONT BRACKET



NO.	CODE	EN DESCRIPTION	QTY	REMARKS
F03-1-01	A000-040302	RUBBER DAMPER	2	
F03-1-02	30006-080014810	BOLT M8x14	2	
F03-1-03	6WWV-030300-5000	FRONT BRACKET ASSY	1	
F03-1-04	30006-080016810	BOLT M8x16	2	
F03-1-05	6WWV-030400-5000	LH CONNECTING BRACKET, FRONT BRACKET	1	
F03-1-06	6WWV-030110-5000	LH BRACKET, CONNECTORS	1	
F03-1-07	30006-060012870	BOLT M6x12	4	
F03-1-08	6WWV-030120-5000	RH BRACKET, CONNECTORS	1	
F03-1-09	6WWV-030500-5000	RH CONNECTING BRACKET, FRONT BRACKET	1	
F03-1-10	5020-031002	RUBBER SLEEVE LINER, FRONT LICENSE BRACKET	2	
F03-1-11	5020-031001	RUBBER SLEEVE, FRONT LICENSE BRACKET	2	
F03-1-12	30301-060412	WASHER	2	
F03-1-13	30006-060025810	BOLT M6x25	2	
F03-1-14	30006-050012810	BOLT M5x12	2	
F03-1-15	30006-060016870	BOLT M6x16	3	
F03-1-16	30206-080510	NUT M8	2	
F03-1-17	30303-080112	WASHER M8	2	
F03-1-18	30306-080112	WASHER M8	2	
F03-1-19	30006-080045810	BOLT M8x45	2	
F03-1-20	6090-040303	BUSHING	6	
F03-1-21	6090-040302	RUBBER DAMPER	6	
F03-1-22	30305-060112	WASHER M6	6	
F03-1-23	30204-060810	NUT M6	6	
F03-1-24	6WWV-030700-5000	RH BRACKET, FOG LIGHT	1	
F03-1-25	6WWV-030600-5000	LH BRACKET, FOG LIGHT	1	

主车架/MAIN FRAME



09:24:50

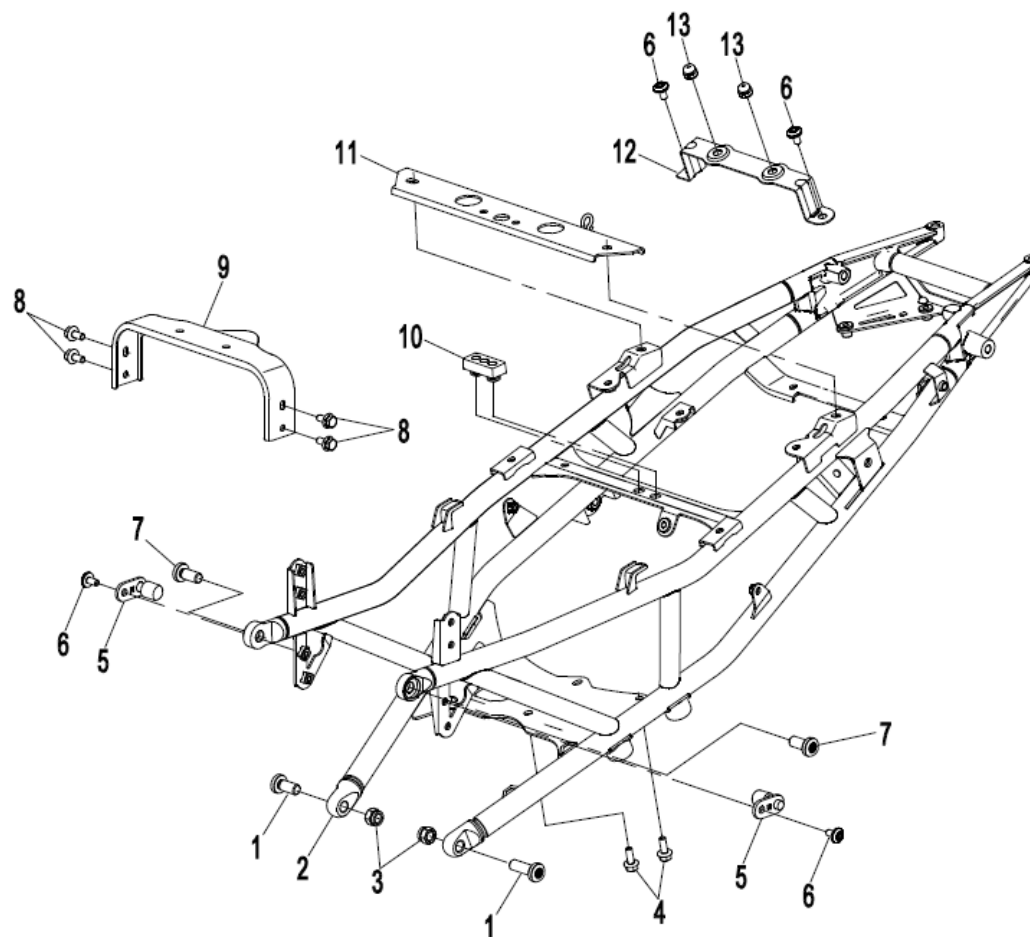
CFMOTO





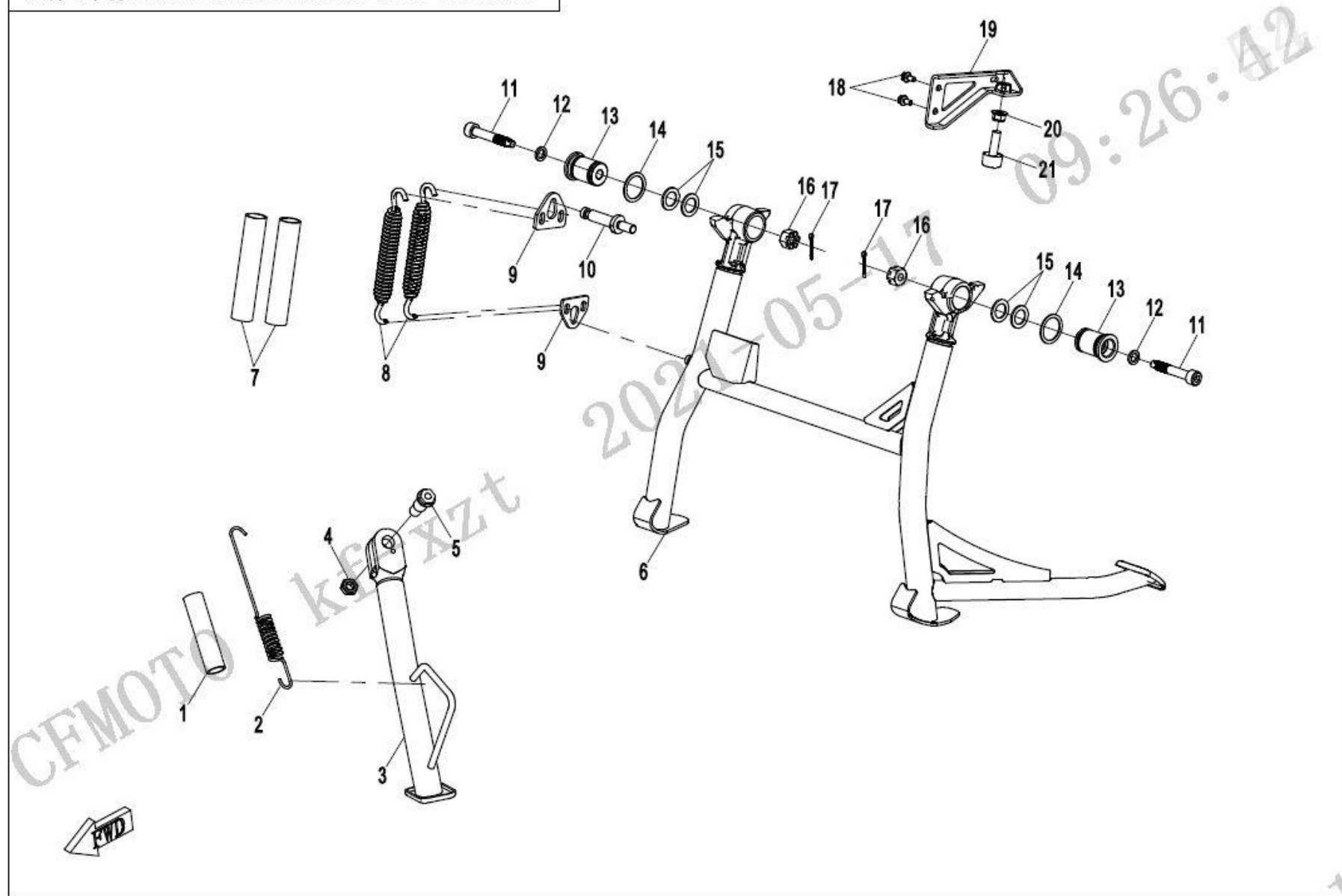
NO.	CODE	EN DESCRIPTION	QTY	REMARKS
F03-2-01	30006-080016810	BOLT M8x16	4	
F03-2-02	6WWV-030040-5000	RH MIDDLE BRACKET, FRONT BUMPER	1	
F03-2-03	30006-060022810	BOLT	3	
F03-2-04	9060-180029	RUBBER CUSHION TUBE, RADIATOR	6	
F03-2-05	6KM#-181001-8001	DAMPING RUBBER MAT	3	
F03-2-06	6WWV-031000-5002-0BP00	FRONT FRAME ASSY	1	
F03-2-07	6WWV-030011-5000	INNER HEX SCREW M10x45	5	
F03-2-08	6WWV-030013-5000	INNER HEX SCREW M8x16	6	
F03-2-09	6WWV-030060-5000	RH REAR BRACKET, BUMPER	1	
F03-2-10	6WWV-030050-5000	LH REAR BRACKET, BUMPER	1	
F03-2-11	30006-080028810	BOLT M8x28	1	
F03-2-12	6WWV-000120-5000	RH BRACKET ASSY, GUARD	1	
F03-2-13	6WWV-030090-5000	RH BRACKET, MIDDLE SUPPORTER	1	
F03-2-14	K-54310086100	SELF LOCKING NUT M10 CU WS=14	1	
F03-2-15	30006-050012810	BOLT M5x12	3	
F03-2-16	0180-014010	WIRE CLAMP	2	
F03-2-17	6WWV-030080-5000	LH BRACKET, MIDDLE SUPPORTOR	1	
F03-2-18	6WWV-030017-5000	INNER HEX SCREW M10x30	1	
F03-2-19	6WWV-030003-5000	BRACKET, SIDE STAND SWITCH CABLE	1	
F03-2-20	6L30-030091	BOLT M10x60	1	
F03-2-21	6WWV-030009-5000	ENGINE HANGING BRACKET	1	
F03-2-22	6WWV-030018-5000	BOLT M12x60	1	
F03-2-23	30102-080050810	INNER HEX SCREW M8x50	2	
F03-2-24	6WWV-030030-5000	LH MIDDLE BRACKET, FRONT BUMPER	1	
F03-2-25	6WWV-030001-5000	BRACKET, 6D SENSOR	1	
F03-2-26	6WWV-030019-5000	RUBBER BUSHING	3	
F03-2-27	6WWV-046902-5000	INNER HEX SCREW M6x20	3	
F03-2-28	6WWV-190012-5300	VIN PLATE	1	
F03-2-29	30902-0401320	BLIND RIVET 4X8	2	

副车架/REAR FRAME



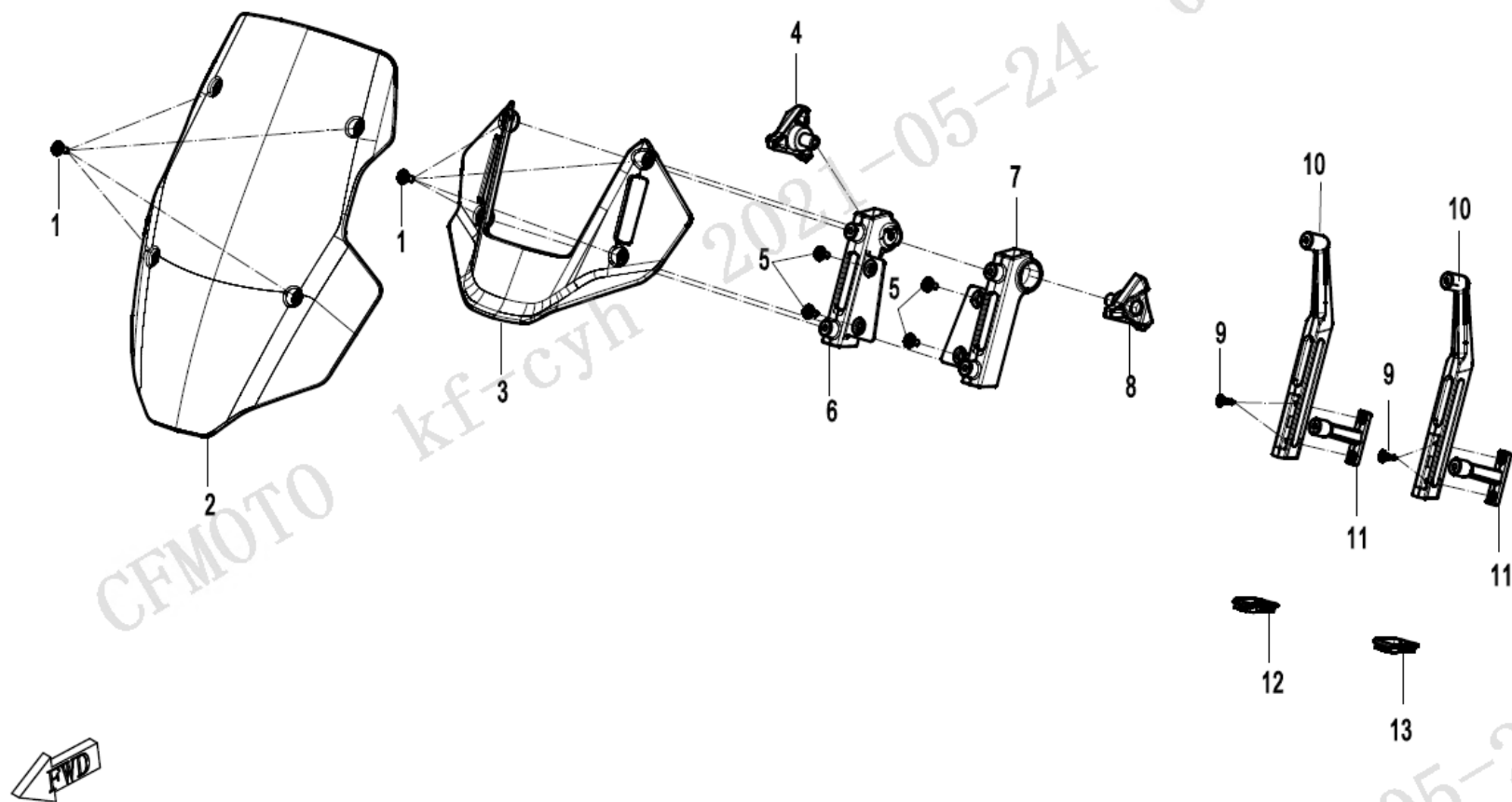
NO.	CODE	EN DESCRIPTION	QTY	REMARKS
F03-3-01	6WWV-030017-5000	INNER HEX SCREW M10x30	2	
F03-3-02	6WWV-032000-5001-0BP00	REAR FRAME ASSY	1	
F03-3-03	K-54310086100	SELF LOCKING NUT M10 CU WS=14	2	
F03-3-04	30006-060016870	BOLT M6x16	2	
F03-3-05	6WWV-030070-5000	AIR FILTER MOUNTING ASSY	2	
F03-3-06	6WWV-046702-5000	INNER HEX SCREW M6x12	4	
F03-3-07	6WWV-030016-5001	INNER_HEX_SCREW_M10x22	2	
F03-3-08	30006-060012870	BOLT M6x12	4	
F03-3-09	6WWV-030010-5000	REAR BRACKET, FUEL TANK	1	
F03-3-10	6090-130012	RUBBER DAMPER	1	
F03-3-11	6WWV-030020-5000	BRACKET, SEAT LOCK	1	
F03-3-12	6WWV-030004-5000	BRACKET, BATTERY	1	
F03-3-13	6WWV-045801-5000	RUBBER	2	

边撑&中撑/SIDE STAND&MIDDLE SUPPORTER



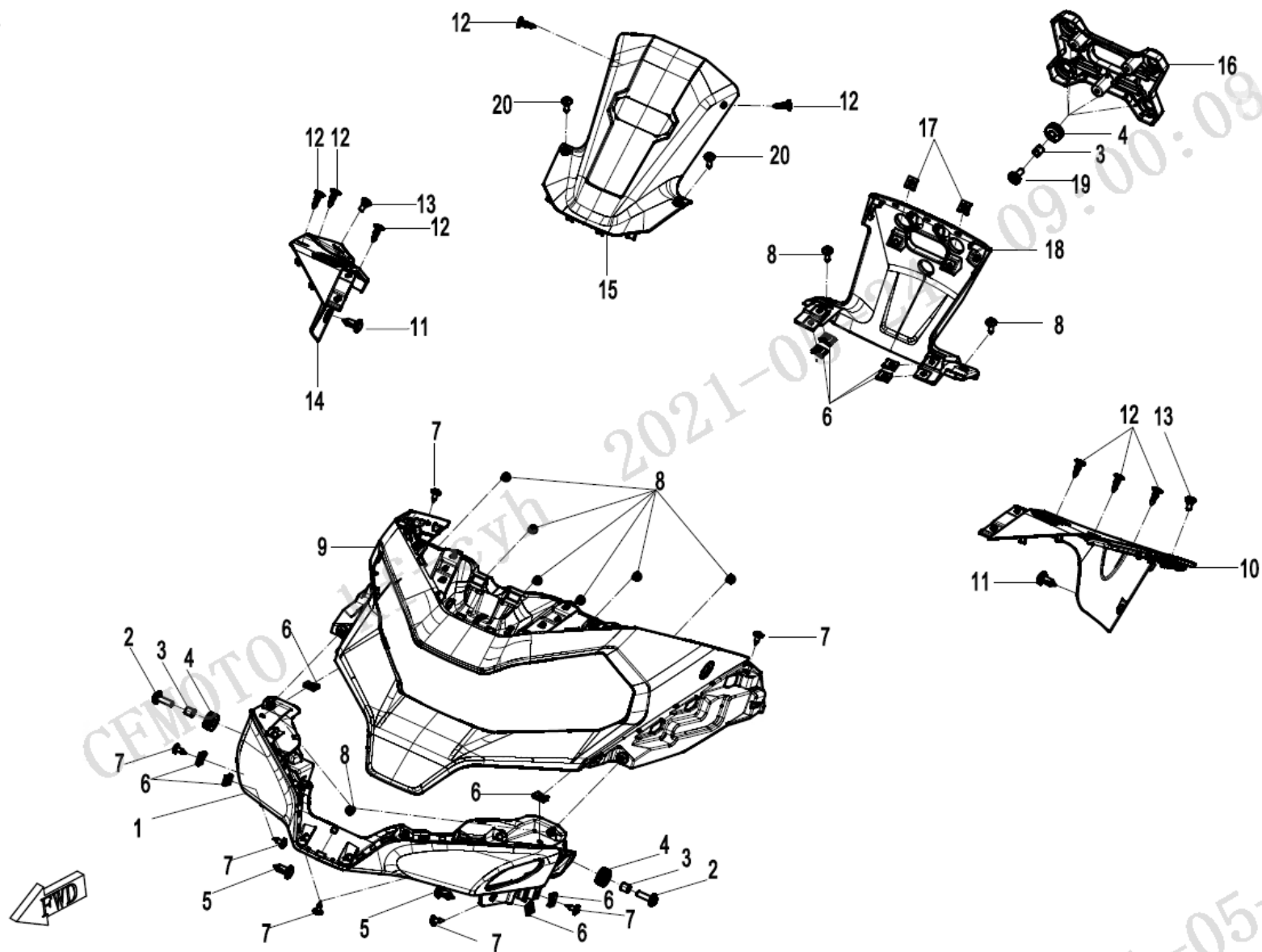
NO.	CODE	EN DESCRIPTION	QTY	REMARKS
F03-4-01	A000-030004	SPRING COLLAR, SIDE STAND	1	
F03-4-02	A000-030210	SPRING, SIDE STAND	1	
F03-4-03	6WWV-030200-5000	SIDE BRACKET ASSY	1	
F03-4-04	30208-102810	NUT M10x1.25	1	
F03-4-05	A000-030006	BOLT, SIDE STAND	1	
F03-4-06	6WWV-030100-5000	MIDDLE SUPPORTER ASSY	1	
F03-4-07	6L30-030705	SPRING SLEEVE, SIDE BRACKET	2	
F03-4-08	6L30-030060	SPRING, MAIN BRACKET	2	
F03-4-09	6WWV-030106-5000	SPRING HOOK, MIDDLE SUPPORTER	2	
F03-4-10	6WWV-030005-5000	SPRING PIN, MIDDLE SUPPORTER	1	
F03-4-11	6L30-030093	BOLT	2	
F03-4-12	6L30-030720	SELF-LOCK RETAINER KIT	2	
F03-4-13	6L30-030701	BUSHING MAIN BRACKET	2	
F03-4-14	6L30-030706	FRICTION WASHER	2	
F03-4-15	1F30-024014	O-SEAL RING 17x2	4	
F03-4-16	6L30-030094	SLOTTED NUT	2	
F03-4-17	30903-0252610	COTTER PIN 2.5X26	2	
F03-4-18	6WWV-046702-5000	INNER HEX SCREW M6x12	2	
F03-4-19	6WWV-030190-5000	LIMIT SEAT, MIDDLE SUPPORTER	1	
F03-4-20	30200-080810	NUT M8	1	
F03-4-21	6L30-030080	DAMPING MATE ASSY	1	

塑料件 I / PLASTICS I



NO.	CODE	EN DESCRIPTION	QTY	REMARKS
F04-1-01	6WWV-046602-5000	INNER HEX STEPPED SCREW M6x14	8	
F04-1-02	6WWV-040101-5001	WINDSHIELD	1	
F04-1-03	6WWV-040201-5000	SMALL WINDSHIELD	1	
F04-1-04	6WWV-045001-5001	RH ADJUSTING BUTTON, WINDSHIELD	1	
F04-1-05	6100-120005	INNER HEX SCREW M6x8	4	
F04-1-06	6WWV-046401-5000	RH BRACKET, WINDSHIELD	1	
F04-1-07	6WWV-046301-5000	LH BRACKET, WINDSHIELD	1	
F04-1-08	6WWV-044901-5001	LH ADJUSTING BUTTON, WINDSHIELD	1	
F04-1-09	30105-050014470	SCREW	4	
F04-1-10	6WWV-046101-5000	UPPER COLUMN, WINDSHIELD	2	
F04-1-11	6WWV-046201-5000	LOWER COLUMN, WINDSHIELD	2	
F04-1-12	6WWV-044201-5000	RH BRACKET RUBBER SLEEVE, WINDSHIELD	1	
F04-1-13	6WWV-044101-5000	LH BRACKET RUBBER SLEEVE, WINDSHIELD	1	

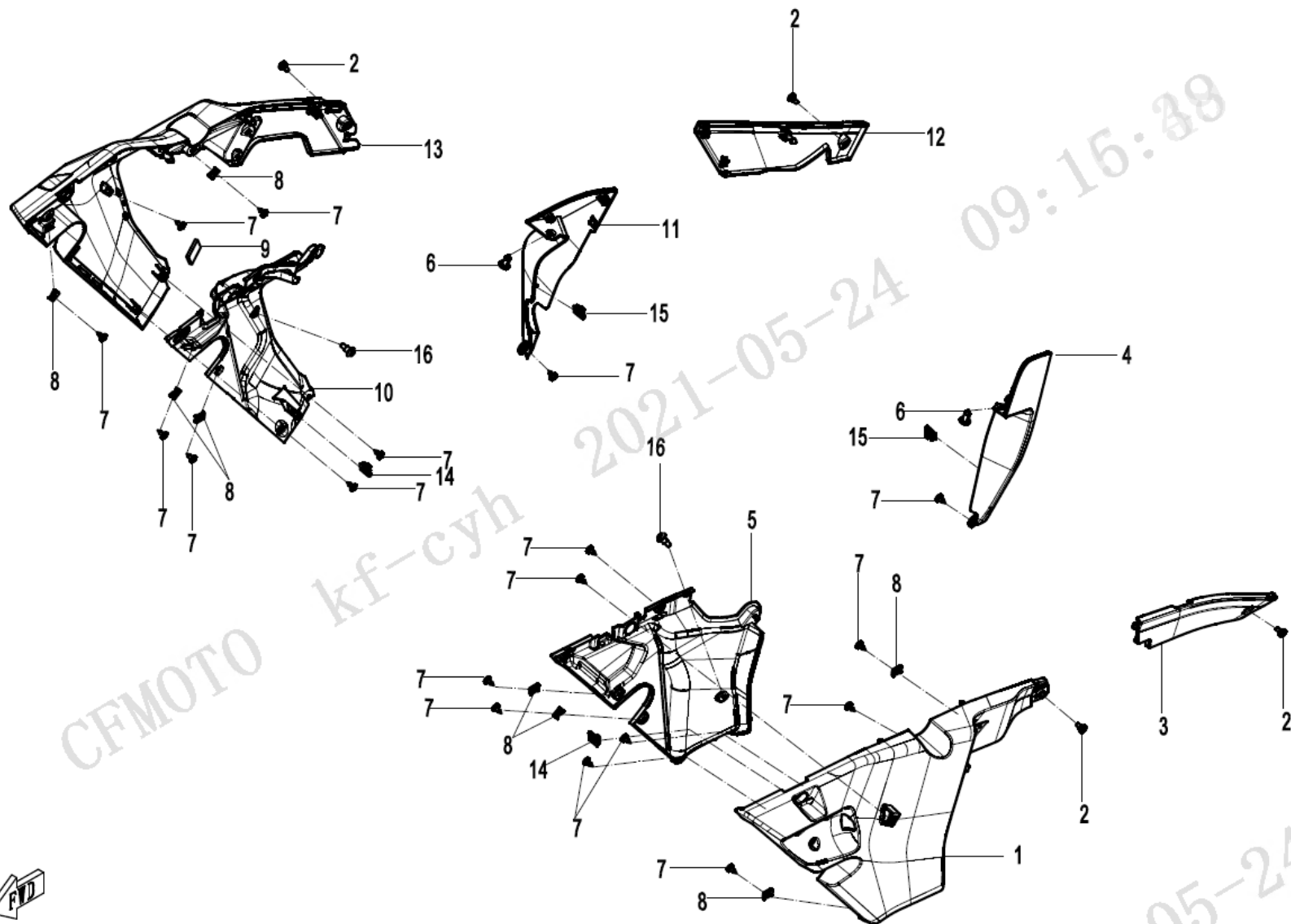
F04-2塑料件II/PLASTICS II





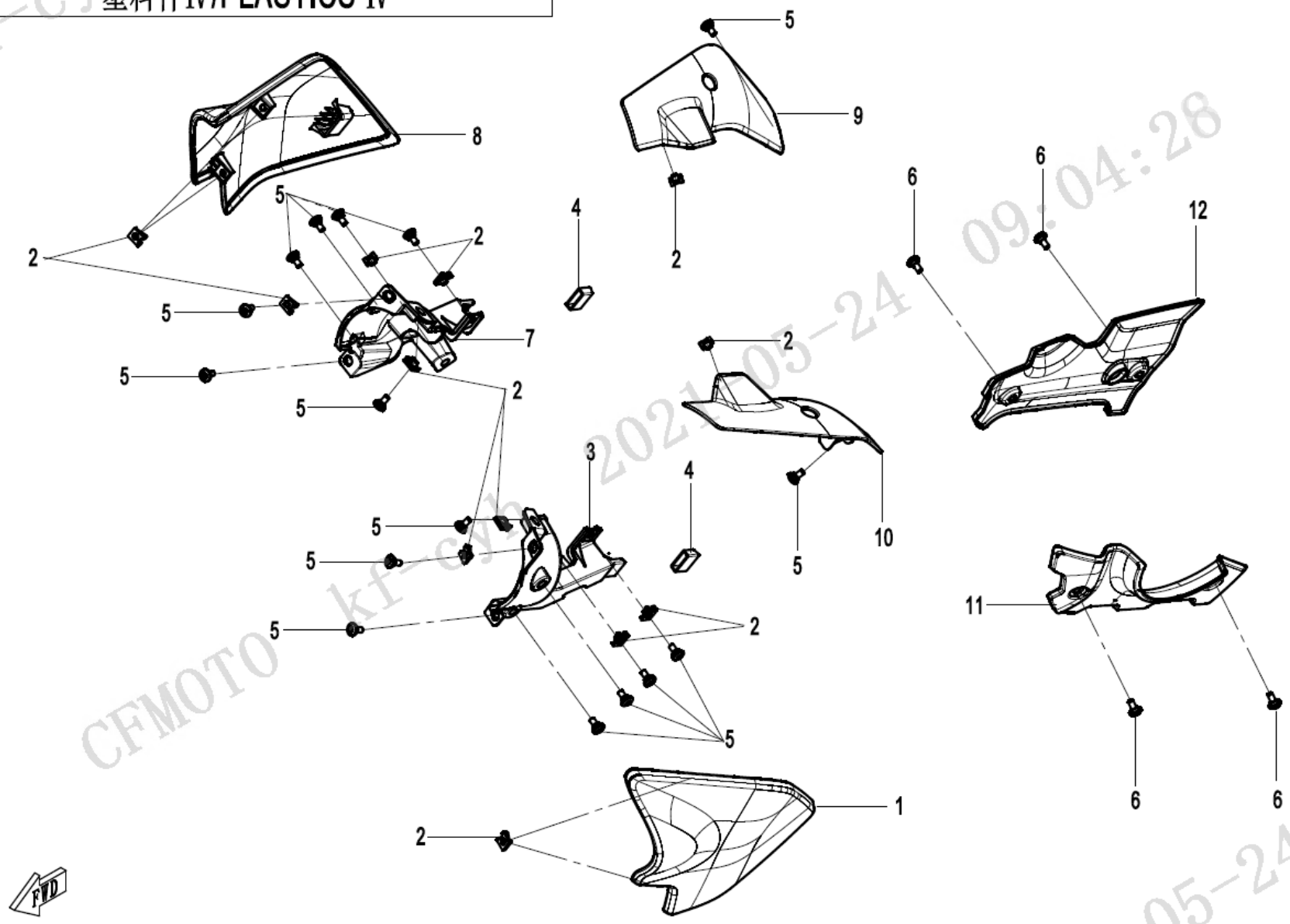
NO.	CODE	EN DESCRIPTION	QTY	REMARKS
F04-2-01	6WWV-040701-5000	HEADLIGHT LOWER COVER	1	
F04-2-02	6WWV-046901-5000	INNER HEX SCREW M6x20	2	
F04-2-03	6090-040303	BUSHING	6	
F04-2-04	6090-040302	RUBBER DAMPER	6	
F04-2-05	9060-040310	PLASTIC CLIPS	2	
F04-2-06	8080-000002	CLIP NUT ST4.8	10	
F04-2-07	30110-421130010	SELF-TAPPING SCREW ST4.2x13	8	
F04-2-08	30110-481130010	SELF-TAPPING SCREW ST4.8x13	10	
F04-2-09	6WWV-040601-5001-0BW00	HEADLIGHT COVER	1	NEBULA BLACK+MERCURY GREY
F04-2-09	6WWV-040601-5001-0DC00	HEADLIGHT COVER	1	NEBULA BLACK_DESERT YELL
F04-2-10	6WWV-040901-5000	LH INNER PLATE, HEADLIGHT COVER	1	
F04-2-11	9060-040310	PLASTIC CLIPS	2	
F04-2-12	8080-041130	PLASTIC SCREW	8	
F04-2-13	6WWV-046502-5000	STEPPED SCREW M5	2	
F04-2-14	6WWV-040801-5000	RH INNER PLATE, HEADLIGHT COVER	1	
F04-2-15	6WWV-040401-5000	FRONT COVER, DASHBOARD	1	
F04-2-16	6WWV-040501-5000	ADAPTOR BRACKET, DASHBOARD	1	
F04-2-17	6KM#-040081-8000-M1	NUT CLIP M5	2	
F04-2-18	6WWV-040301-5001	REAR COVER, DASHBOARD	1	
F04-2-19	6WWV-046802-5000	INNER HEX SCREW M6x16	4	
F04-2-20	30110-480190070	SELF-TAPPING SCREW	2	

塑料件III/PLASTICSIII



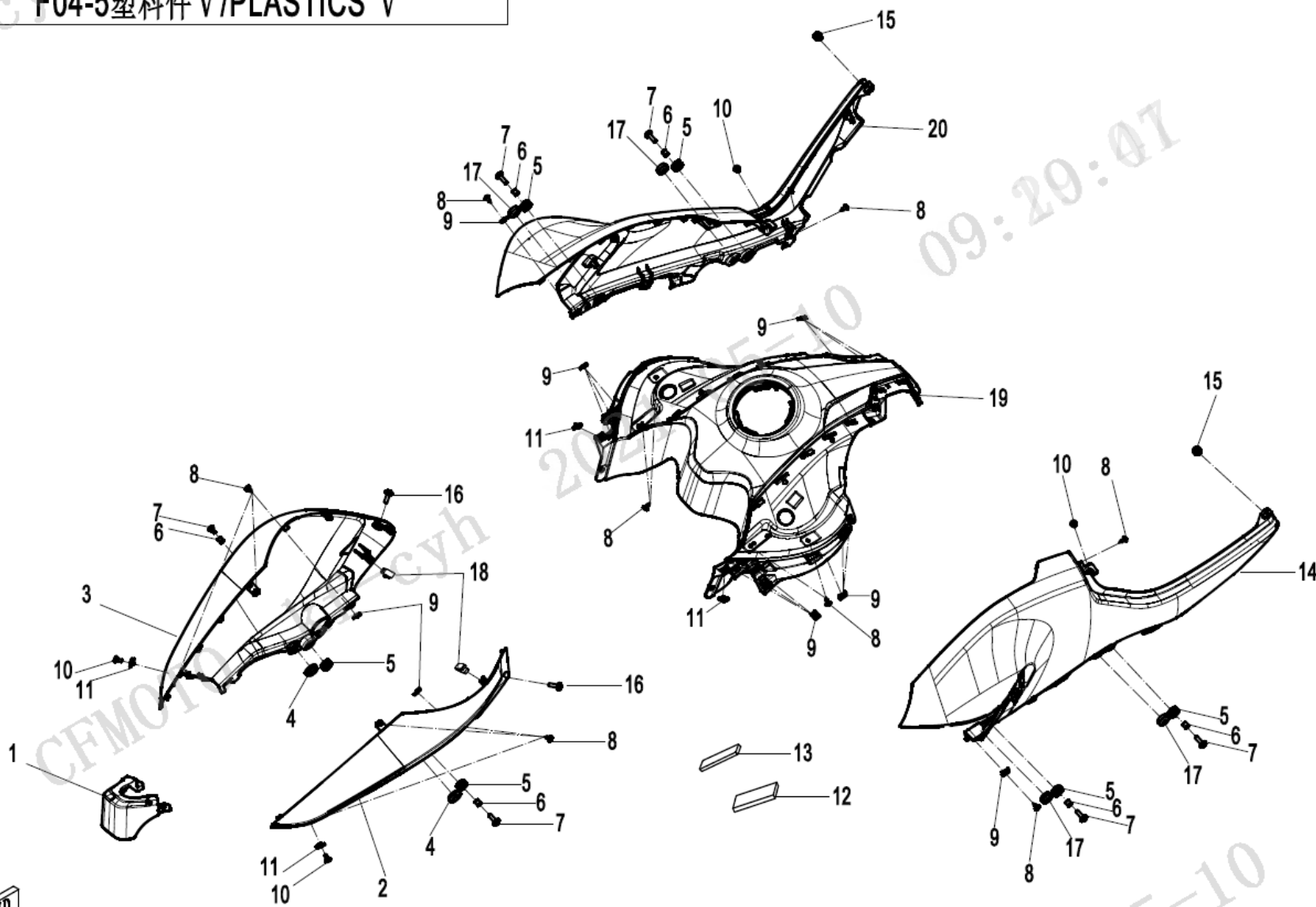
NO.	CODE	EN DESCRIPTION	QTY	REMARKS
F04-3-01	6WWV-041501-5000	LH FRONT PANEL, RADIATOR	1	
F04-3-02	6WWV-046502-5000	STEPPED SCREW M5	4	
F04-3-03	6WWV-044701-5000	LH REAR PANEL, RADIATOR	1	
F04-3-04	6WWV-041701-5000	LH DEFLECTOR, RADIATOR	1	
F04-3-05	6WWV-041901-5000	LH INNER PANEL, RADIATOR	1	
F04-3-06	9060-040310	PLASTIC CLIPS	2	
F04-3-07	30110-481130070	SELF-TAPPING SCREW	18	
F04-3-08	8080-000002	CLIP NUT ST4.8	8	
F04-3-09	6KM#-040066-8001	SPONGE STRAP	1	
F04-3-10	6WWV-042001-5000	RH INNER PANEL, RADIATOR	1	
F04-3-11	6WWV-041801-5000	RH DEFLECTOR, RADIATOR	1	
F04-3-12	6WWV-044801-5000	RH REAR PANEL, RADIATOR	1	
F04-3-13	6WWV-041601-5000	RH FRONT PANEL, RADIATOR	1	
F04-3-14	8030-040800-00001	NUT CLIP M6	2	
F04-3-15	6KM#-040081-8000-M1	NUT CLIP M5	2	
F04-3-16	6NQ#-000202-6001	BOLT	2	

塑料件IV/PLASTICS IV



NO.	CODE	EN DESCRIPTION	QTY	REMARKS
F04-4-B-01	6WWV-046010-5100	LH FOG LIGHT COVER ASSY	1	
F04-4-B-02	6KM#-040081-8000-M1	NUT CLIP M5	14	
F04-4-B-03	6WWV-042301-5000	BRACKET, LH FOG LIGHT	1	
F04-4-B-04	6WWV-044001-5000	RUBBER, FOG LIGHT COVER	2	
F04-4-B-05	6WWV-046502-5000	STEPPED SCREW M5	16	
F04-4-B-06	6WWV-046602-5000	INNER HEX STEPPED SCREW M6x14	4	
F04-4-B-07	6WWV-042401-5000	BRACKET, RH FOG LIGHT	1	
F04-4-B-08	6WWV-046020-5100	RH FOG LIGHT COVER ASSY	1	
F04-4-B-09	6WWV-045601-5000	DECO COVER, RH FOG LIGHT	1	
F04-4-B-10	6WWV-045701-5000	DECO COVER, LH FOG LIGHT	1	
F04-4-B-11	6WWV-043701-5000	ENGINE LH PANEL	1	
F04-4-B-12	6WWV-043801-5000	ENGINE RH PANEL	1	

F04-5塑料件 V/PLASTICS V

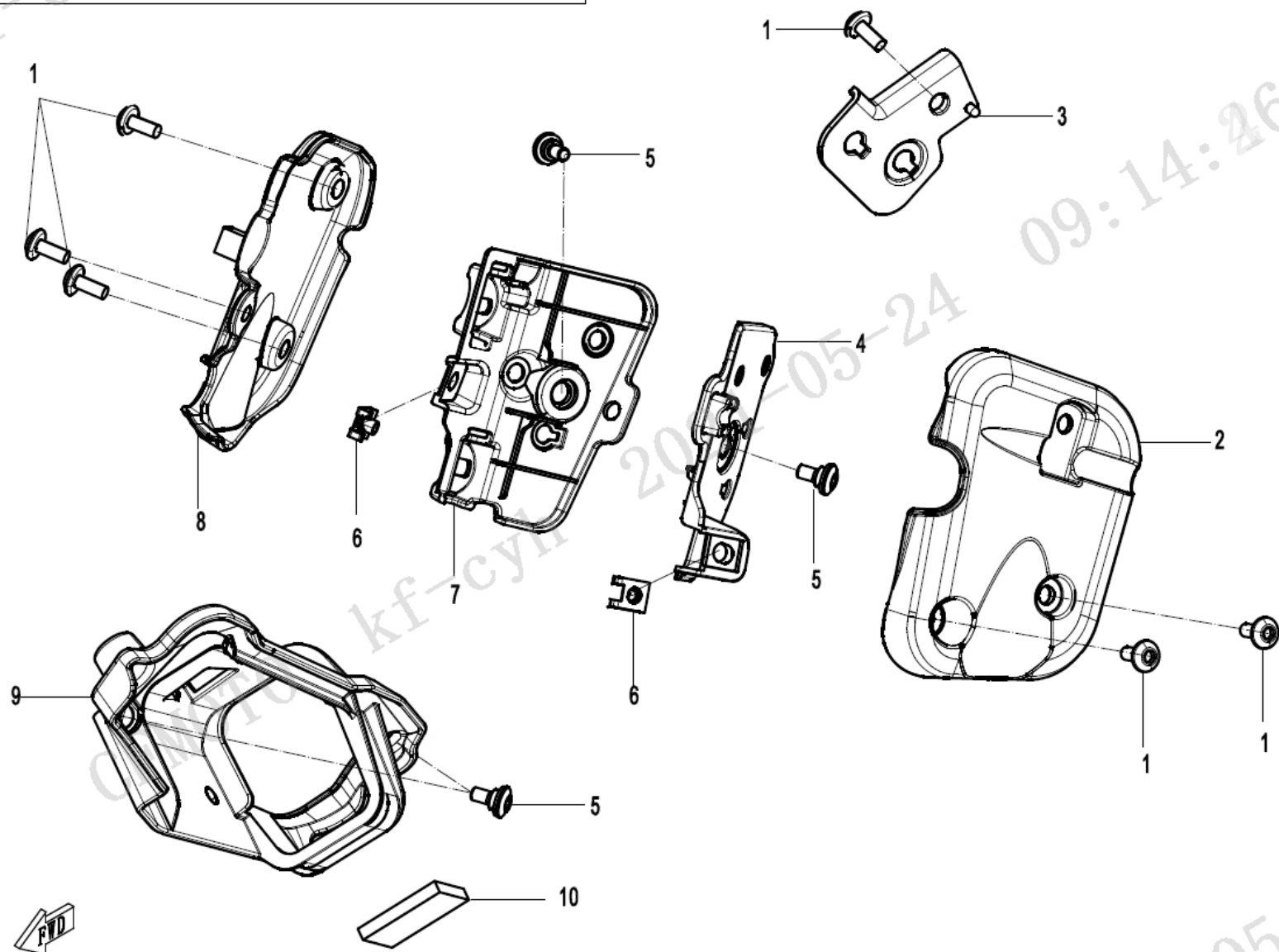


21-05-10

09:29:07

NO.	CODE	EN DESCRIPTION	QTY	REMARKS
F04-5-01	6WWV-043901-5000	COVER, IGNITION LOCK	1	
F04-5-02	6WWV-041301-5000-0VF00	LH FRONT PANEL, FUEL TANK	1	MERCURY SILVER FOR BLUE BIKE
F04-5-02	6WWV-041301-5000-0G900	LH FRONT PANEL, FUEL TANK	1	TACTICAL GREEN FOR YELLOW BIKE
F04-5-03	6WWV-041401-5000-0VF00	RH FRONT PANEL, FUEL TANK	1	MERCURY SILVER FOR BLUE BIKE
F04-5-03	6WWV-041401-5000-0G900	RH FRONT PANEL, FUEL TANK	1	TACTICAL GREEN FOR YELLOW BIKE
F04-5-04	8080-040064	DAMPER, FRONT FENDER	6	
F04-5-05	6090-040302	RUBBER DAMPER	6	
F04-5-06	6090-040303	BUSHING	6	
F04-5-07	6WWV-046901-5000	INNER HEX SCREW M6x20	6	
F04-5-08	30110-481130010	SELF-TAPPING SCREW ST4.8x13	14	
F04-5-09	8080-000002	CLIP NUT ST4.8	16	
F04-5-10	6WWV-046501-5000	STEPPED SCREW M5	4	
F04-5-11	6KM#-040081-8000-M1	NUT CLIP M5	10	
F04-5-12	6KM#-040066-8001	SPONGE STRAP	2	
F04-5-13	6KM#-160420-8001	SPONGE MAT	6	
F04-5-14	6WWV-041101-5000-0ET00	LH PANEL, FUEL TANK	1	TWILIGHT BLUE
F04-5-14	6WWV-041101-5000-0YG00	LH PANEL, FUEL TANK	1	SANDSTONE YELLOW
F04-5-15	9060-040310	PLASTIC CLIPS	2	
F04-5-16	6WWV-046502-5000	STEPPED SCREW M5	2	
F04-5-17	A000-040302	RUBBER DAMPER	4	
F04-5-18	8080-000001	CLASP	2	
F04-5-19	6WWV-041201-5000	UPPER PANEL, FUEL TANK	1	
F04-5-20	6WWV-041001-5000-0ET00	RH PANEL, FUEL TANK	1	TWILIGHT BLUE
F04-5-20	6WWV-041001-5000-0YG00	RH PANEL, FUEL TANK	1	SANDSTONE YELLOW

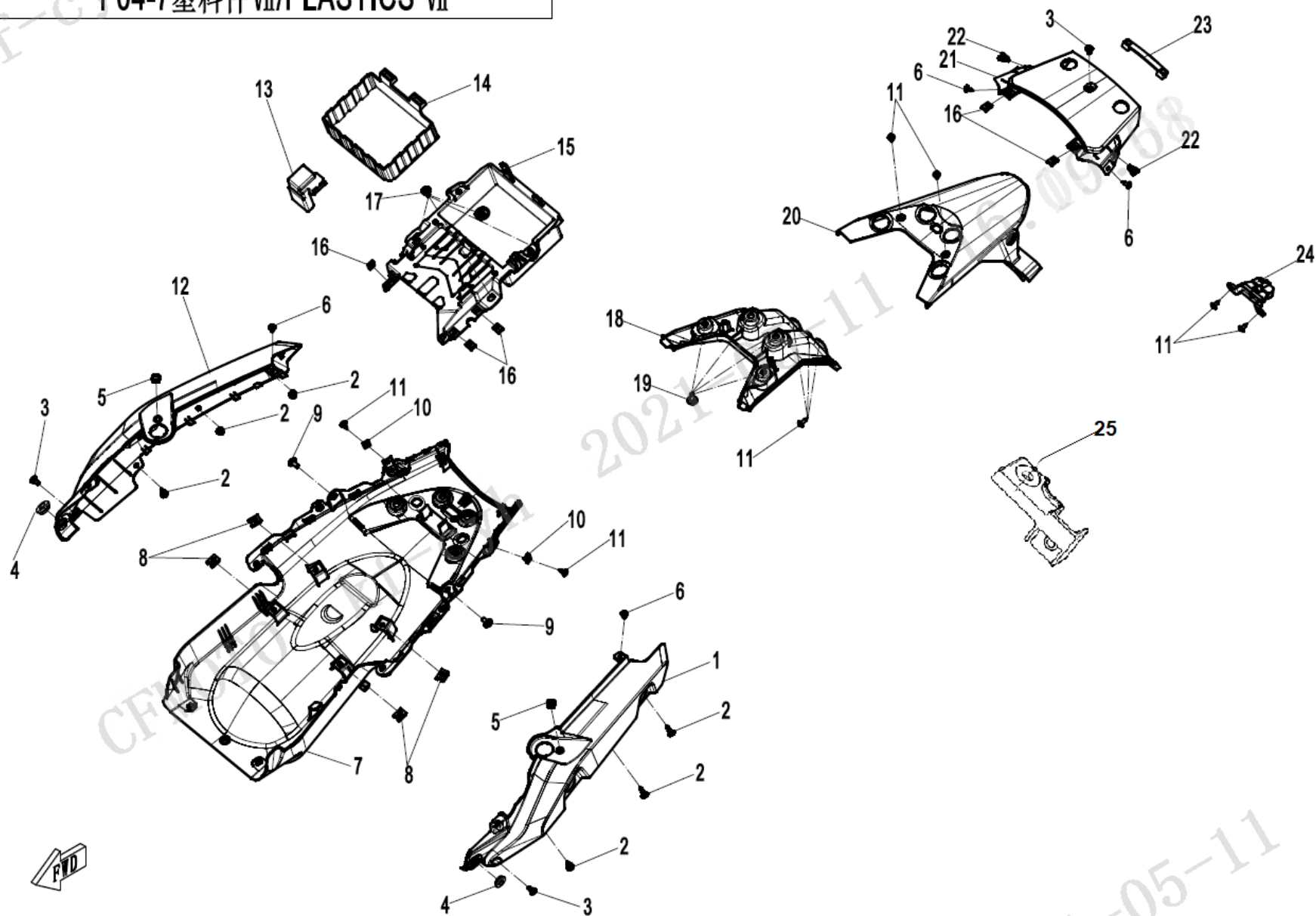
塑料件VI/PLASTICS VI



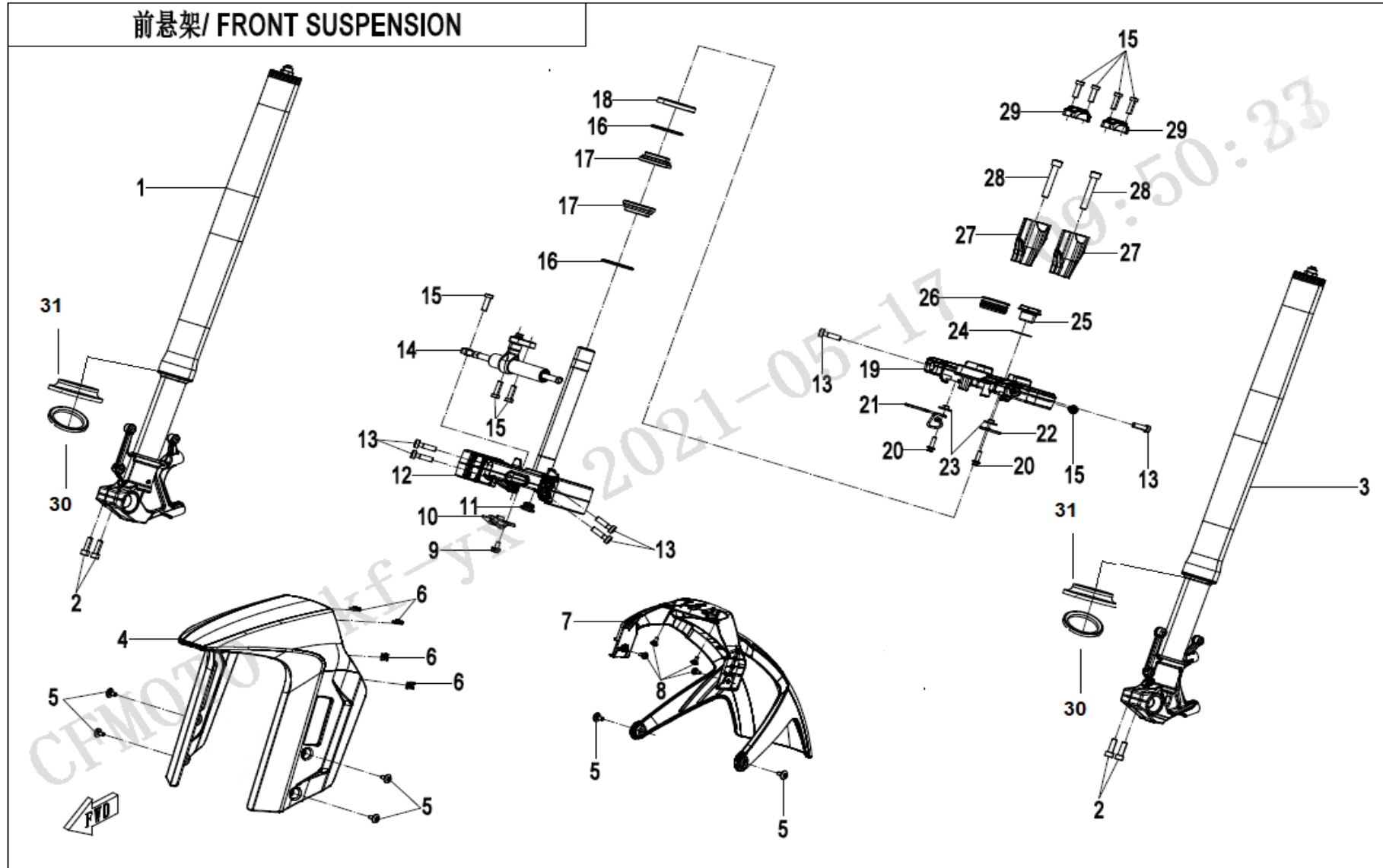


NO.	CODE	EN DESCRIPTION	QTY	REMARKS
F04-6-01	6WWV-047102-5000	INNER HEX SCREW M5x14	6	
F04-6-02	6WWV-045501-5000	PRESS PLATE, LH CABLE BRACKET	1	
F04-6-03	6WWV-045101-5000	BRACKET, OXYGEN SENSOR CONNECTOR	1	
F04-6-04	6WWV-045301-5001	LH CABLE BRACKET	1	
F04-6-05	6WWV-046502-5000	STEPPED SCREW M5	4	
F04-6-06	6KM#-040081-8000-M1	NUT CLIP M5	2	
F04-6-07	6WWV-045201-5000	RH CABLE BRACKET	1	
F04-6-08	6WWV-045401-5000	PRESS PLATE, RH CABLE BRACKET	1	
F04-6-09	6WWV-043601-5000	BRACKET, CANISTER	1	
F04-6-10	6KM#-040066-8001	SPONGE STRAP	1	

F04-7塑料件VII/PLASTICS VII

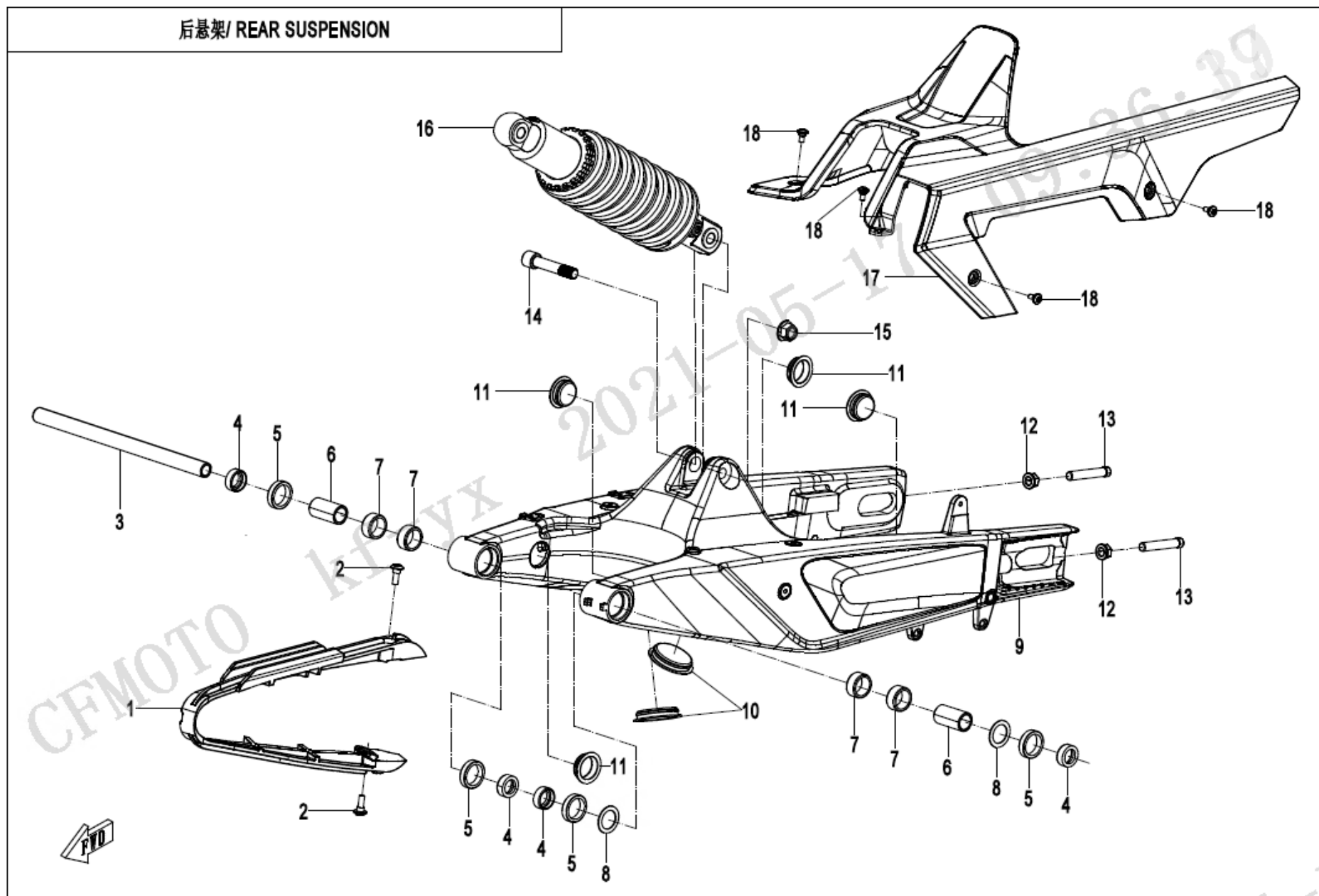


NO.	CODE	EN DESCRIPTION	QTY	REMARKS
F04-7-01	6WWV-043101-5000-0B800	LH PANEL, TAIL LIGHT	1	MERCURY SILVER FOR BLUE BIKE
F04-7-01	6WWV-043101-5000-0G900	LH PANEL, TAIL LIGHT	1	TACTICAL GREEN FOR YELLOW BIKE
F04-7-02	8080-041130	PLASTIC SCREW	6	
F04-7-03	6WWV-046502-5000	STEPPED SCREW M5	3	
F04-7-04	8080-040064	DAMPER, FRONT FENDER	2	
F04-7-05	6WWV-045801-5000	RUBBER	2	
F04-7-06	30110-481130010	SELF-TAPPING SCREW ST4.8x13	4	
F04-7-07	6WWV-042501-5001	BASE PLATE, FRAME	1	
F04-7-08	8030-040800-00001	NUT CLIP M6	4	
F04-7-09	6WWV-046702-5000	INNER HEX SCREW M6x12	2	
F04-7-10	8080-000002	CLIP NUT ST4.8	2	
F04-7-11	30110-481130070	SELF-TAPPING SCREW	7	
F04-7-12	6WWV-043001-5000-0B800	RH PANEL, TAIL LIGHT	1	MERCURY SILVER FOR BLUE BIKE
F04-7-12	6WWV-043001-5000-0G900	RH PANEL, TAIL LIGHT	1	TACTICAL GREEN FOR YELLOW BIKE
F04-7-13	6WWV-045901-5000	RUBBER BUSHING, AUXILIARY RELAY	1	
F04-7-13	6WWV-045901-5000-10	RUBBER BUSHING, AUXILIARY RELAY	1	
F04-7-14	6WWV-043401-5000	RUBBER MAT, BATTERY	1	
F04-7-15	6WWV-043301-5001	BRACKET, ELECTRICAL PARTS	1	
F04-7-16	8080-000002	CLIP NUT ST4.8	5	
F04-7-17	8030-040020-1000	SCREW M6x17.5	4	
F04-7-18	6WWV-042801-5000	REINFORCEMENT PLATE, REAR FENDER	1	
F04-7-19	8010-090005	BOLT M6x16	4	
F04-7-20	6WWV-042601-5000	REAR FENDER	1	
F04-7-21	6WWV-042901-5000	UPPER COVER, TAIL LIGHT	1	
F04-7-22	8080-000001	CLASP	2	
F04-7-23	6WWV-043201-5000	HOOK RUBBER, TAIL LIGHT	1	
F04-7-24	6WWV-042701-5000	BRACKET, LICENSE LIGHT	1	
F04-7-25	6WWV-043310-5000	BRACKET, AUXILIARY RELAY	1	



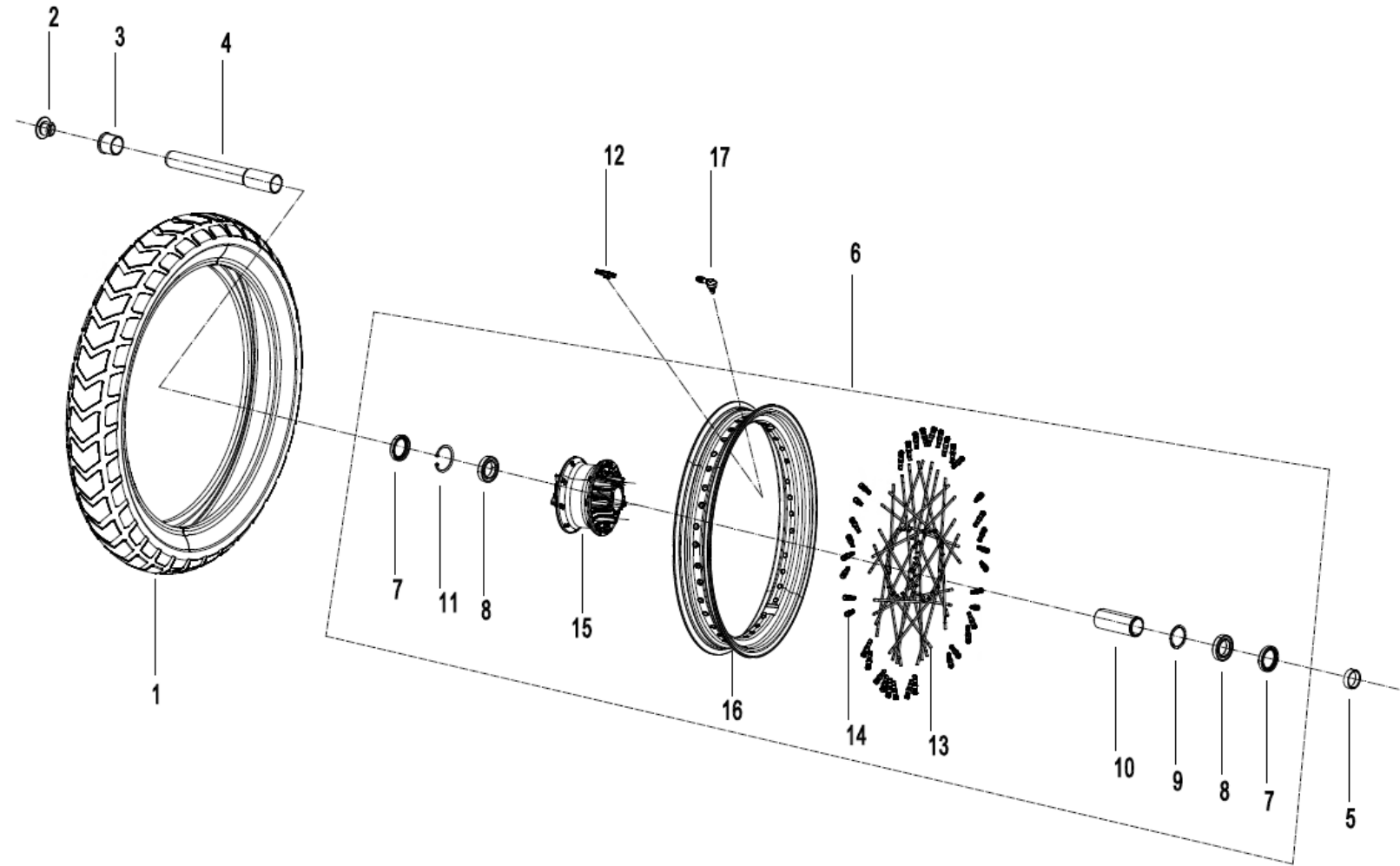
NO.	CODE	EN DESCRIPTION	QTY	REMARKS
F05-01	6WVV-050600-5000-M1	FRONT RH SHOCK ABSORBER	1	
F05-02	30102-080025810	SCREW M8x25	4	
F05-03	6WVV-050500-5000-M1	FRONT LH SHOCK ABSORBER	1	

NO.	CODE	EN DESCRIPTION	QTY	REMARKS
F05-04	6WWV-050006-5000-0B800	FRONT PART, FRONT FENDER	1	TWILIGHT BLUE
F05-04	6WWV-050006-5000-0YG00	FRONT PART, FRONT FENDER	1	SANDSTONE YELLOW
F05-05	6WWV-046602-5000	INNER HEX STEPPED SCREW M6x14	6	
F05-06	6KM#-040081-8000-M1	NUT CLIP M5	4	
F05-07	6WWV-050007-5000	REAR PART, FRONT FENDER	1	
F05-08	6WWV-046502-5000	STEPPED SCREW M5	4	
F05-09	30006-060012870	BOLT M6x12	1	
F05-10	6WWV-050200-5000	BRACKET, HORN	1	
F05-11	6L30-050004	PLUG, FRONT FORK	1	
F05-12	6WWV-050300-5000	LOWER TRIPLE CLAMP	1	SILVER FOR BLUE BIKE
F05-12	6WWV-050300-5000-10	LOWER TRIPLE CLAMP ASSY	1	BLACK ANODIZED FOR YELLOW BIKE
F05-13	6WWV-050011-5000	INNER HEX SCREW M8x30	6	
F05-14	6WWV-050100-5100	STEERING DAMPER	1	
F05-15	6WWV-050009-5000	SCREW M8x25	8	
F05-16	6L30-050010	DUST-PROOF RING	2	
F05-17	6L30-050200	STEERING BEARING ASSY	2	
F05-18	6L30-050003	DUST-PROOF COVER	1	
F05-19	6WWV-050001-5000	UPPER TRIPLE CLAMP	1	SILVER FOR BLUE BIKE
F05-19	6WWV-050001-5000-10	UPPER TRIPLE CLAMP	1	BLACK ANODIZED FOR YELLOW BIKE
F05-20	30006-060020870	BOLT M6x20	2	
F05-21	6WWV-050402-5000	RH CABLE CLIP	1	
F05-22	6WWV-050401-5000	LH CABLE CLIP	1	
F05-23	8080-140004	LOCK BUSHING, REAR RACK	2	
F05-24	6WWV-050005-5000	WASHER	1	
F05-25	6L30-050002	LOCK SCREW, UPPER TRIPLE CLAMP	1	
F05-26	6WWV-050004-5000	RUBBER DECO COVER, IGNITION LOCK	1	
F05-27	6WWV-050002-5000	BRACKET, HANDLEBAR	2	SILVER FOR BLUE BIKE
F05-27	6WWV-050002-5000-10	SEAT, HANDLEBAR	2	BLACK ANODIZED FOR YELLOW BIKE
F05-28	30102-102060810	SCREW M10x1.25x60	2	
F05-29	6WWV-050003-5000	PRESS COVER, HANDLEBAR	2	SILVER FOR BLUE BIKE
F05-29	6WWV-050003-5000-10	PRESS COVER, HANDLEBAR	2	BLACK ANODIZED FOR YELLOW BIKE
F05-30	6WWV-050500-5000-24	OIL SEAL	2	
F05-31	6WWV-050500-5000-25	DUST-PROOF CAP	2	



NO.	CODE	EN DESCRIPTION	QTY	REMARKS
F06-01	6WWV-060005-5003	CHAIN GUARD	1	
F06-02	6WWV-046602-5000	INNER HEX STEPPED SCREW M6x14	2	
F06-03	6WWV-060001-5000	SHAFT, REAR SWING ARM	1	
F06-04	6WWV-060002-5000	BUSHING, REAR SWING ARM	4	
F06-05	6WWV-060030-5000	OIL SEAL	4	
F06-06	6WWV-060003-5000	LINER, REAR SWING ARM	2	
F06-07	30403-02200	NEEDLE BEARING HK2212	4	
F06-08	6WWV-060004-5000	WASHER, REAR SWING ARM	2	
F06-09	6WWV-060301-5004	REAR FORK	1	
F06-10	6NT1-060002	DUST CAP, BIG	2	
F06-11	6NT1-060003	DUST CAP, SMALL	4	
F06-12	6L30-060013	LOCK NUT, CHAIN ADJUSTER	2	
F06-13	6L30-060002	ADJUSTABLE BOLT, CHAIN	2	
F06-14	6NT1-060001	BOLT, REAR SHOCK ABSORBER	1	
F06-15	30204-122810	NUT M12x1.25	1	
F06-16	6WWV-060100-5001-M1	REAR_SHOCK_ABSORBER	1	
F06-17	6WWV-060008-5000	CHAIN COVER (SET)	1	Included Sprocket Cover (6WWV-060005-5003 + 6WWV-060008-5001)
	6WWV-060008-5001	SPROCKET COVER	1	
F06-18	6WWV-046502-5000	STEPPED SCREW M5	4	

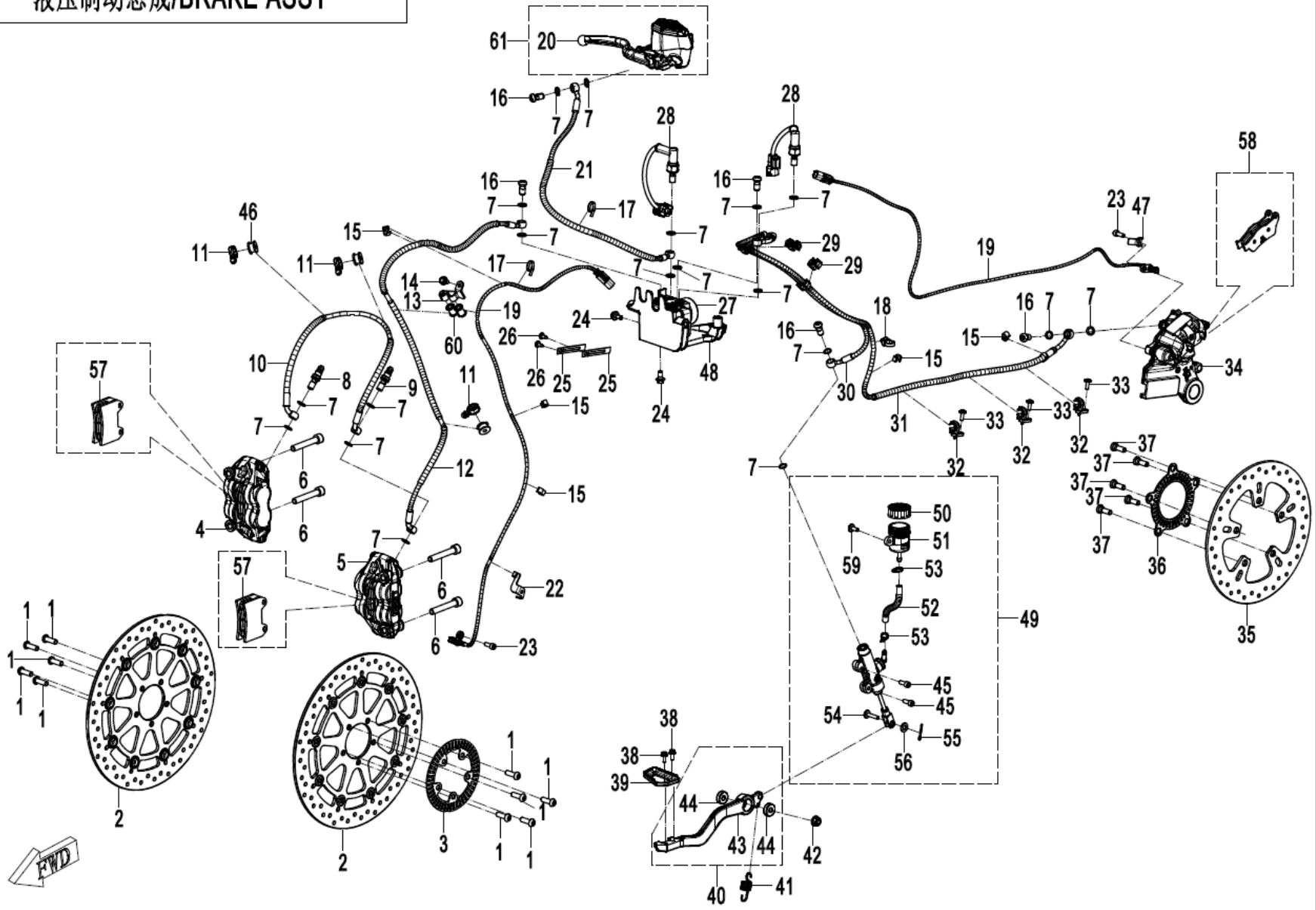
前轮/Front Wheel





NO.	CODE	EN DESCRIPTION	QTY	REMARKS
F07-B-01	3070SH-190100	TIRE	1	
F07-B-02	6L30-070004	LOCK SCREW, FRONT AXLE	1	
F07-B-03	6WWV-070002-5000	RH BUSHING, FRONT WHEEL	1	
F07-B-04	6WWV-070001-5000	FRONT WHEEL SHAFT	1	
F07-B-05	6WWV-070003-5000	LH BUSHING, FRONT WHEEL	1	
F07-B-06	6WWV-070100-5002	FRONT RIM ASSY	1	GOLD FOR BLUE BIKE
F07-B-06	6WWV-070100-5002-10	FRONT RIM ASSY	1	BLACK FOR YELLOW BIKE
F07-B-07	6WWV-070100-5000-21	OIL SEAL	2	
F07-B-08	6WWV-070100-5000-22	BEARING	2	
F07-B-09	6WWV-070105-5000	WASHER	1	
F07-B-10	6WWV-070104-5000	CORE SHAFT	1	
F07-B-11	30800-04705	CIRCLIP FOR HOLE 47	1	
F07-B-12	FA7V-150850-1101	TIRE PRESSURE SENSOR	1	
F07-B-13	6WWV-070103-5000	SPOKE	36	
F07-B-14	6WWV-070100-5000-20	CAP	36	
F07-B-15	6WWV-070102-5000	FRONT WHEEL MIDDLE HUB	1	
F07-B-16	6WWV-070101-5001	FRONT WHEEL	1	GOLD FOR BLUE BIKE
F07-B-16	6WWV-070101-5001-10	FRONT WHEEL	1	BLACK FOR YELLOW BIKE
F07-B-17	6WWV-070300-5000-M1	VALVE, INFLATION	1	

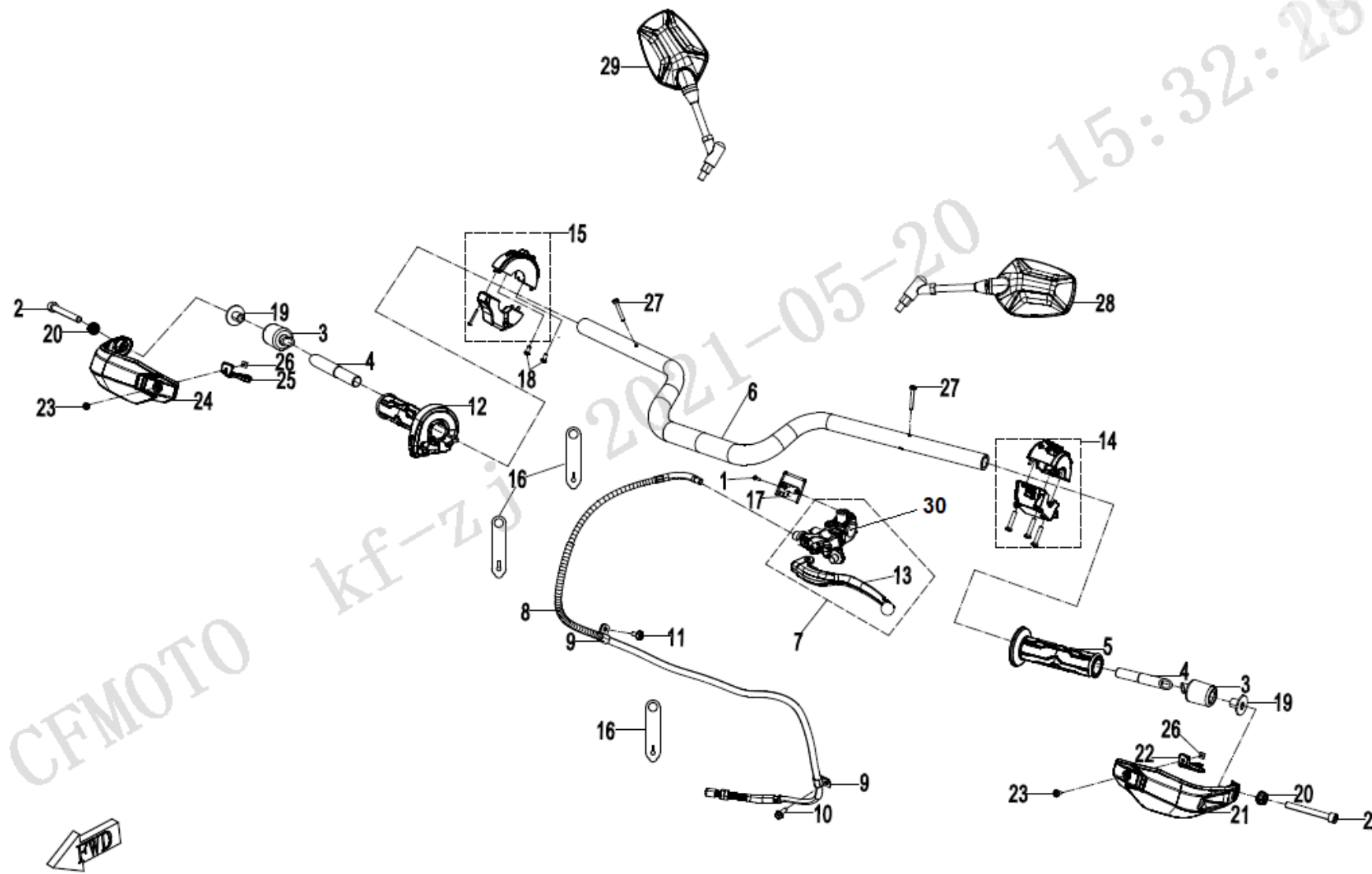
液压制动总成/BRAKE ASSY



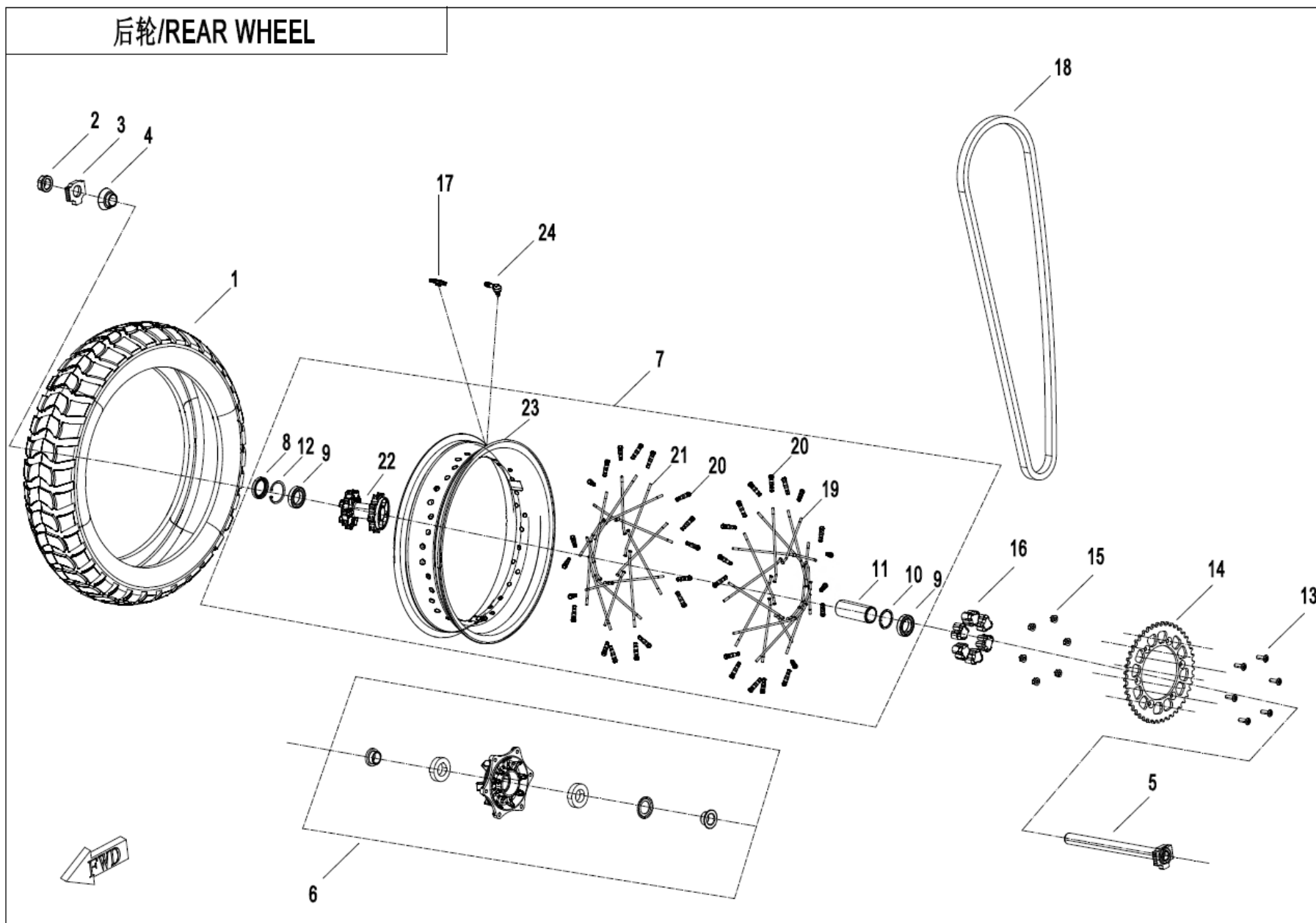
NO.	CODE	EN DESCRIPTION	QTY	REMARKS
F08-01	6GUV-080001-7000	SCREW	10	
F08-02	6L30-080010	FRONT BRAKE DISC ASSY	2	
F08-03	6L30-080003	GEAR RING, FRONT WHEEL	1	
F08-04	6WWV-081200-5001	FRONT RH BRAKE CALIPER	1	BLACK FOR BLUE BIKE
F08-04	6WWV-081200-5000-10	FRONT BRAKE CALIPER, RH	1	SILVER FOR YELLOW BIKE
F08-05	6GUV-081100-6001	FRONT LH BRAKE CALIPER ASSY	1	BLACK FOR BLUE BIKE
F08-05	6GUV-081100-6000-10	FRONT BRAKE CALIPER, LH	1	SILVER FOR YELLOW BIKE
F08-06	30102-102060810	SCREW M10x1.25x60	4	
F08-07	A000-080102-2000	WASHER	19	
F08-08	6GU#-081000-6000-22	BANJO BOLT 1	1	
F08-09	6WWV-080006-5001-M1	BANJO BOLT, LONG	1	
F08-10	6WWV-081030-5000-M1	LOWER FLUID HOSE, FRONT BRAKE	1	
F08-11	A000-050015	WIRE CLIP, FRONT BRAKE FLUID HOSE	3	
F08-12	6WWV-081020-5000-M1	FLUID INLET PIPE, FRONT BRAKE	1	
F08-13	6WWV-080003-5000	WIRE CLIP 1, FRONT BRAKE FLUID HOSE	1	
F08-14	30006-060010810	BOLT M6x10	1	
F08-15	6KJ0-080003-00001	CLIP, BRAKE HOSE	5	
F08-16	6GU#-081000-6000-23	BANJO BOLT2	5	
F08-17	8010-150003	TIE BAND	2	
F08-18	801F-100101	TIE BAND	1	
F08-19	6L30-080020	SPEED SENSOR, FRONT WHEEL	2	
F08-20	6GU#-080110-6000-39	LEVER	1	
F08-21	6WWV-081010-5000-M1	FRONT BRAKE FLUID OUTLET HOSE	1	
F08-22	6WWV-080007-5000	WIRE CLIP, RPM SENSOR	1	
F08-23	30102-060016810	SCREW	2	
F08-24	8010-000004	BOLT M6x14	2	
F08-25	0180-014010	WIRE CLAMP	2	
F08-26	30118-480130010	SELF-TAPPING SCREW ST4.8x13	2	
F08-27	6WWV-081400-5000	MSC CONTROLLER	1	
F08-28	6GUV-080010-8100	HYDRAULIC INDUCTION SWITCH	2	
F08-29	6L30-080006	WIRE CLIP 2, BRAKE FLUID HOSE	2	
F08-30	6WWV-081050-5000-M1	FLUID OUTLET PIPE, REAR BRAKE	1	
F08-31	6WWV-081040-5000-M1	REAR BRAKE FLUID OUTLET HOSE	1	

NO.	CODE	EN DESCRIPTION	QTY	REMARKS
F08-32	6L30-080005	WIRE CLIP 1, BRAKE FLUID HOSE	3	
F08-33	6WWV-047102-5000	INNER HEX SCREW M5x14	3	
F08-34	6WWV-081600-5002	REAR BRAKE CALIPER	1	BLACK FOR BLUE BIKE
F08-34	6WWV-081600-5000-10	REAR BRAKE CALIPER	1	SILVER FOR YELLOW BIKE
F08-35	6GU#-090001-6000-M1	REAR BRAKE DISC	1	
F08-36	6GU#-090002-6001	REAR GEAR RING	1	
F08-37	A000-080001	SCREW	5	
F08-38	30006-050012870	BOLT	2	
F08-39	6WWV-081402-5000	FOOTREST BRACKET	1	
F08-40	6WWV-081401-5000	REAR BRAKE PEDAL	1	
F08-41	6WWV-080005-5000	RETURN SPRING	1	
F08-42	30204-080810	NUT M8	1	
F08-43	6WWV-081401-5000-20	REAR BRAKE PEDAL	1	
F08-44	30400-00880	BEARING 8x22x7	2	
F08-45	30102-060022810	SCREW M6x22	2	
F08-46	6KM#-080002-8000	RUBBER OIL HOSE CLIP	1	
F08-47	6WWV-080002-5000	WIRE CLIP, REAR SPEED SENSOR	1	
F08-48	6WWV-080009-5000	ABS NYLON BRACKET	1	
F08-49	6WWV-081300-5000	REAR BRAKE MASTER CYLINDER ASSY	1	
F08-50	6WWV-081300-5000-22	CAP, BRAKE FLUID RESERVOIR	1	
F08-51	6KM0-091204	FLUID RESERVOIR	1	
F08-52	6WWV-081300-5000-21	FLUID RESERVOIR HOSE	1	
F08-53	6GU#-081300-6000-24	CLIP, FUEL HOSE	2	
F08-54	A000-080216-2000	PIN SHAFT	1	
F08-55	A000-080233-2000	PIN	1	
F08-56	A000-080234-2000	WASHER 8	1	
F08-57	6GU#-0811A0-6000	FRONT BRAKE PAD ASSY	2	
F08-58	6WWV-0816A0-5000	REAR BRAKE PAD ASSY	1	
F08-59	6WWV-046802-5000	INNER HEX SCREW M6x16	1	
F08-60	6KM#-080003-8100	RUBBER OIL HOSE CLIP 1	1	
F08-61	6WWV-080110-5000	MASTER CYLINDER, FRONT BRAKE	1	

转向系统/ STEERING SYSTEM



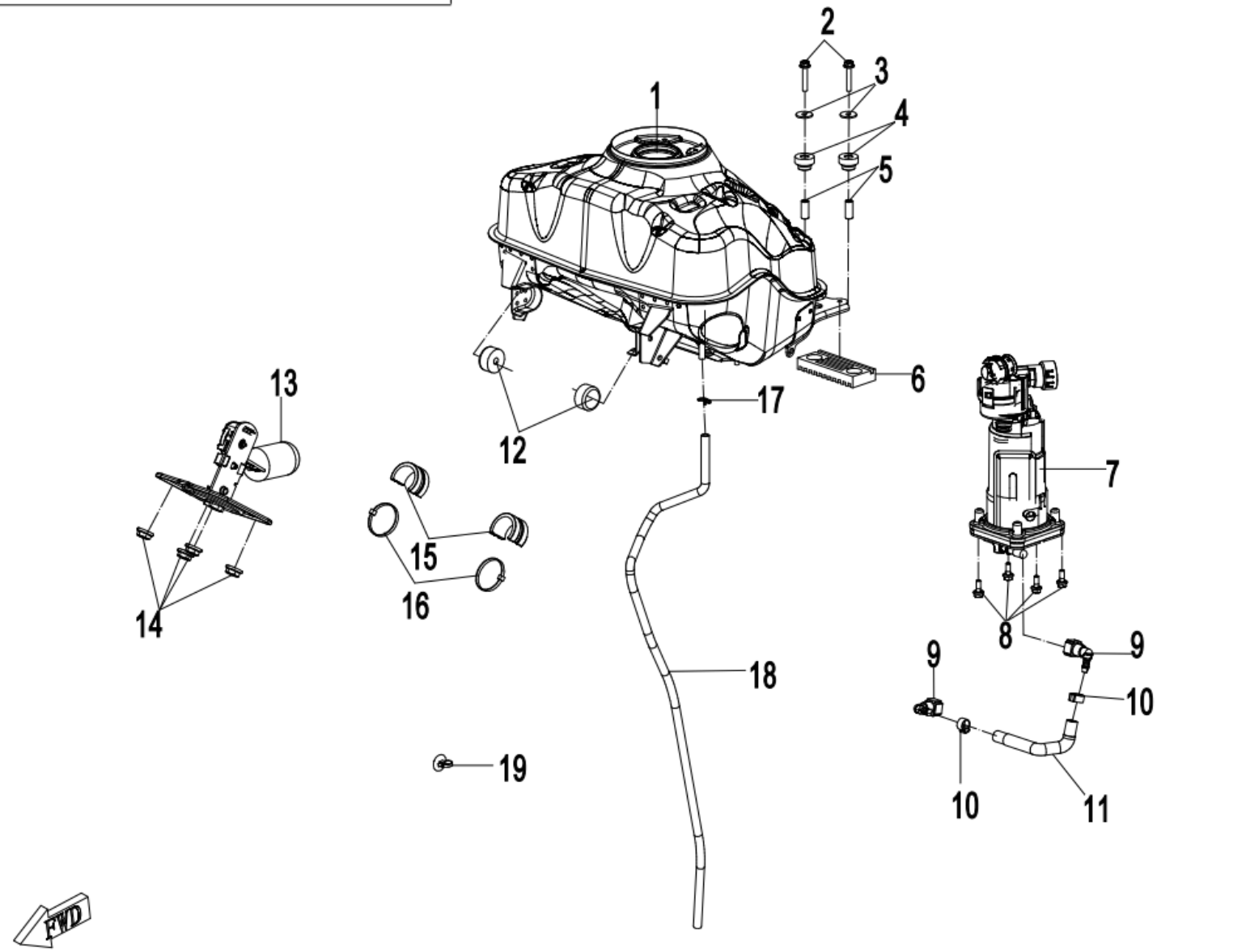
NO.	CODE	EN DESCRIPTION	QTY	REMARKS
F10-B-01	30105-040008470	SCREW	1	
F10-B-02	30102-080070810	SCREW M8x70	2	
F10-B-03	6WWV-100001-5000	BALANCER	2	
F10-B-04	6WWV-100304-5000	BALANCING WEIGHT	2	
F10-B-05	6L30-100010-10000	LH GRIP ASSY	1	
F10-B-06	6WWV-100100-5001	HANDLEBAR PIPE	1	SILVER FOR BLUE BIKE
F10-B-06	6WWV-100100-5000-10	HANDLEBAR PIPE	1	BLACK FOR YELLOW BIKE
F10-B-07	6WWV-100200-5002	CLUTCH LEVER ASSY	1	
F10-B-08	6WWV-100600-5001	CLUTCH CABLE	1	
F10-B-09	6WWV-100800-5000	WIRE CLIP, CLUTCH CABLE	2	
F10-B-10	30006-050012810	BOLT M5x12	1	
F10-B-11	6WWV-047102-5000	INNER HEX SCREW M5x14	1	
F10-B-12	6L30-100020-10000	ELECTRICAL THROTTLE ASSY	1	
F10-B-13	6WWV-100201-5000	CLUTCH LEVER	1	
F10-B-14	6WWV-166000-5100	HANDLEBAR SWITCH, LH	1	
F10-B-15	6WWV-167000-5700	HANDLEBAR SWITCH ASSY, RH	1	
F10-B-16	6KJ0-100002	TIE BAND, CLUTCH	3	
F10-B-17	6WWV-160800-5000	FRONT FOG LIGHT SWITCH	1	
F10-B-18	30137-250120010	SCREW	2	
F10-B-19	A000-180010-20000	BUSHING, RADIATOR DAMPER	2	
F10-B-20	6NT1-100001	BUSHING, HAND GUARD	2	
F10-B-21	6WWV-044301-5000	LH HAND GUARD	1	
F10-B-22	6WWV-044501-5000	BRACKET, LH HAND GUARD	1	
F10-B-23	6WWV-046502-5000	STEPPED SCREW M5	2	
F10-B-24	6WWV-044401-5000	RH HAND GUARD	1	
F10-B-25	6WWV-044601-5000	BRACKET, RH HAND GUARD	1	
F10-B-26	6KJ0-040402	NUT M5	2	
F10-B-27	30105-040030410	SCREW M4x30	2	
F10-B-28	6WWV-200300-5001	LH REAR VIEW MIRROR ASSY	1	
F10-B-29	6WWV-200400-5001	RH REAR VIEW MIRROR ASSY	1	
F10-B-30	6GUV-100200-7002-20	SWITCH KIT	1	



NO.	CODE	EN DESCRIPTION	QTY	REMARKS
F11-B-01	3070SH-174600	TIRE	1	
F11-B-02	6WWV-110001-5000	NUT, REAR WHEEL SHAFT	1	
F11-B-03	6WWV-110002-5000	RH CHAIN ADJUSTING BLOCK	1	
F11-B-04	6WWV-110006-5000	RH BUSHING, REAR WHEEL	1	
F11-B-05	6WWV-110400-5000	REAR WHEEL SHAFT ASSY	1	
F11-B-06	6WWV-110300-5000	SEAT, SPROCKET	1	
F11-B-07	6WWV-110100-5002	REAR RIM ASSY	1	GOLD FOR BLUE BIKE
F11-B-07	6WWV-110100-5002-10	REAR RIM ASSY	1	BLACK FOR YELLOW BIKE
F11-B-08	6WWV-110100-5000-21	OIL SEAL	1	
F11-B-09	6WWV-110100-5000-22	BEARING	2	
F11-B-10	6WWV-110106-5000	WASHER	1	
F11-B-11	6WWV-110105-5000	CORE SHAFT	1	
F11-B-12	30800-04705	CIRCLIP FOR HOLE 47	1	
F11-B-13	6WWV-110004-5001	SUNK_SCREW_M8x28	6	
F11-B-14	6WWV-110005-5000	REAR SPROCKET	1	
F11-B-15	30204-080810	NUT M8	6	
F11-B-16	6L30-110003	DAMPER, SPROCKET	6	
F11-B-17	FA7V-150850-1101	TIRE PRESSURE SENSOR	1	
F11-B-18	3120929	CHAIN	1	
F11-B-19	6WWV-110103-5000	DRIVE SIDE SPOKE	18	
F11-B-20	6WWV-110100-5000-20	CAP	36	
F11-B-21	6WWV-110104-5000	BRAKE SIDE SPOKE	18	
F11-B-22	6WWV-110102-5000	REAR WHEEL MIDDLE HUB	1	
F11-B-23	6WWV-110101-5001	REAR WHEEL	1	GOLD FOR BLUE BIKE
F11-B-23	6WWV-110101-5001-10	REAR WHEEL	1	BLACK FOR YELLOW BIKE
F11-B-24	6WWV-070300-5000-M1	VALVE, INFLATION	1	

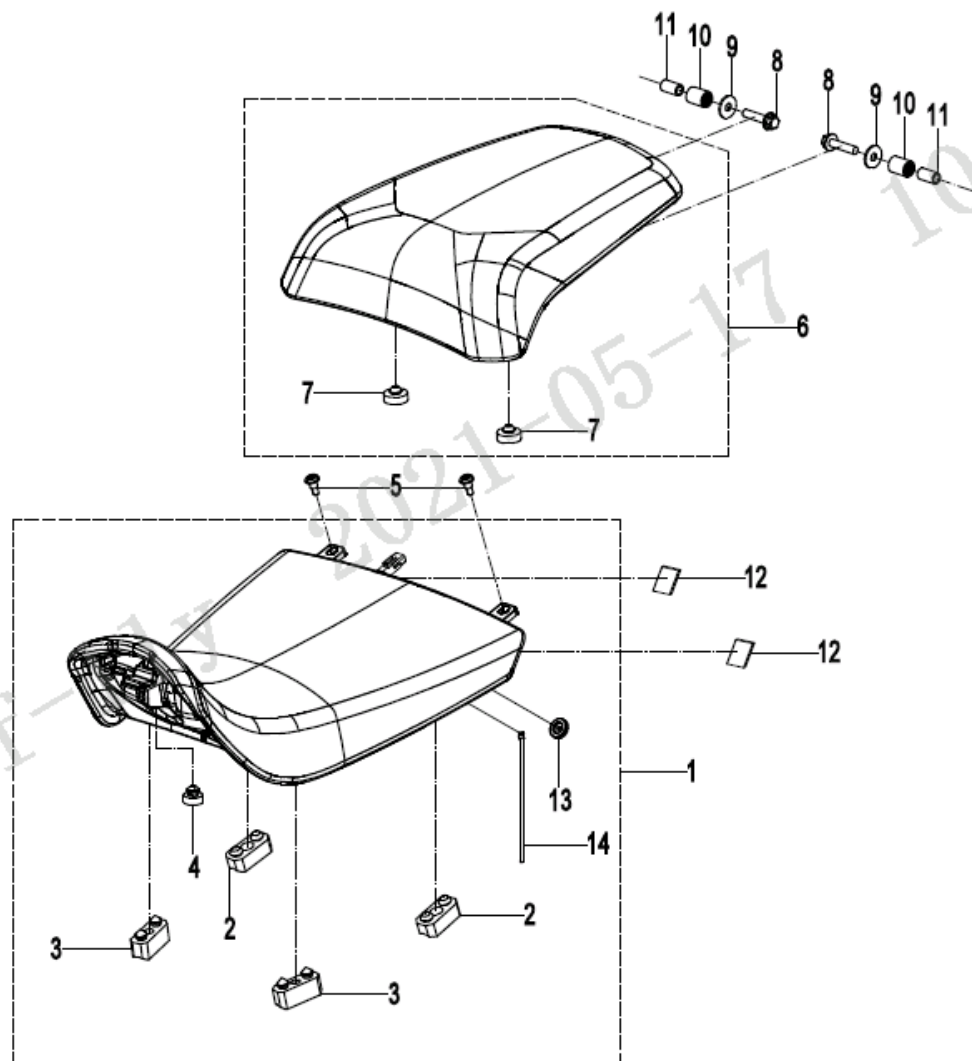


F12油箱/FUEL TANK

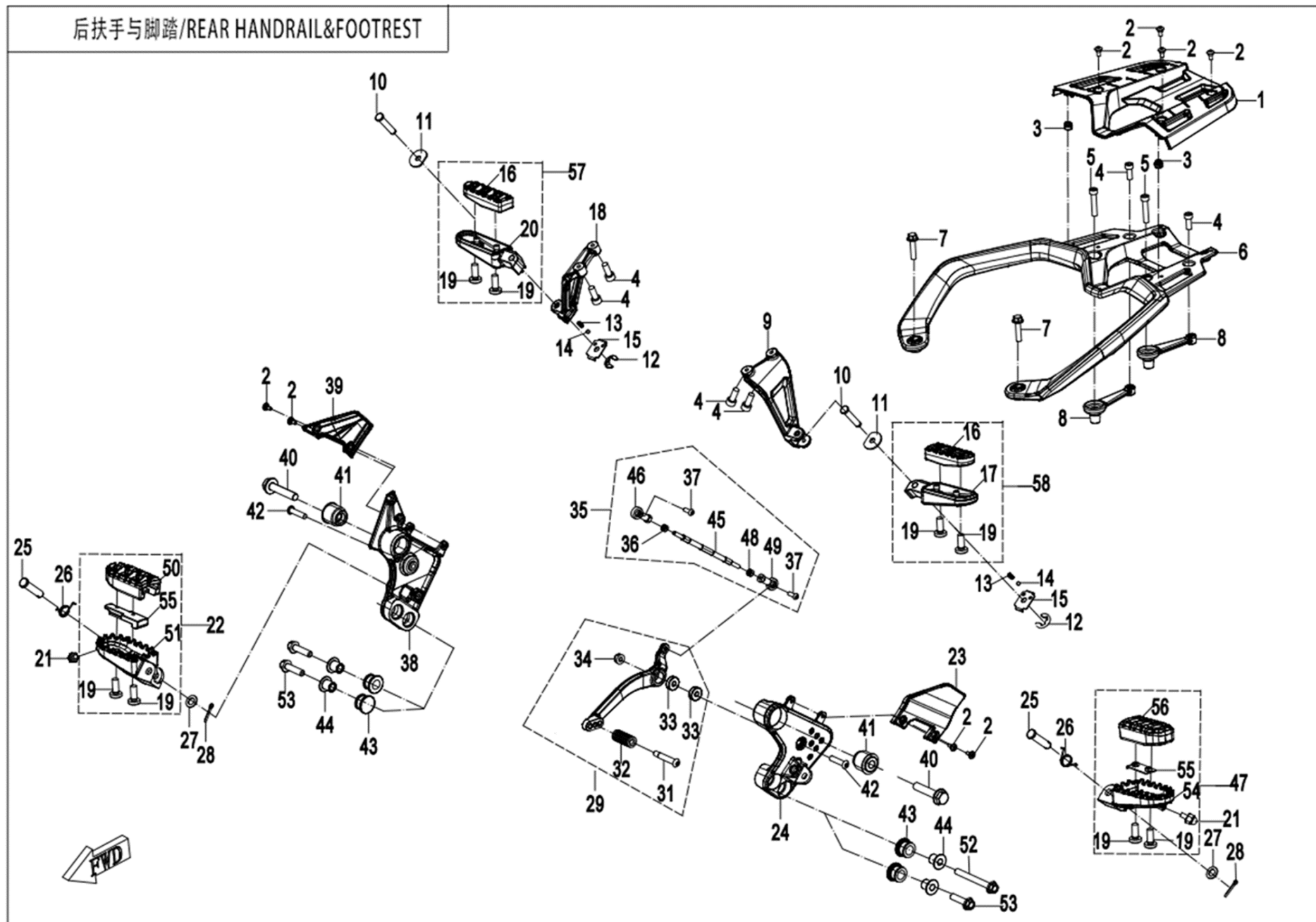


NO.	CODE	EN DESCRIPTION	QTY	REMARKS
F12-01	6WWV-121000-5000	FUEL TANK ASSY	1	
F12-02	30006-060035810	BOLT M6x35	2	
F12-03	30301-060412	WASHER M6	2	
F12-04	6NQ#-120004-6000	CUSHION RUBBER WAHSER	2	
F12-05	6NQ#-120002-6000	MOUNTING BUSHING	2	
F12-06	6NQ#-120003-6000	RUBBER DAMPER BLOCK	1	
F12-07	6L30-150900	FUEL PUMP	1	
F12-08	30006-060016870	BOLT M6x16	4	
F12-09	6090-120210	QUICK JOINT	2	
F12-10	7020-120006	CLAMP Dia 16.6	2	
F12-11	6WWV-120010-5000	HIGH-PRESSURE FUEL HOSE ASSY	1	
F12-12	A000-120006	CUSHION MAT, FRONT FUEL TANK	2	
F12-13	6WWV-170200-5002	FUEL LEVEL SENSOR	1	
F12-14	30204-060810	NUT M6	4	
F12-15	6L30-120001	SIDE RUBBER SLEEVE, FUEL TANK	2	
F12-16	8010-150003	TIE BAND	2	
F12-17	30204-060810	NUT M6	4	
F12-18	6NQ0-120001	FUEL PIPE, FUEL TANK	1	
F12-19	7030-150005	TIE BAND	1	

# 座垫总成/SEAT ASSY



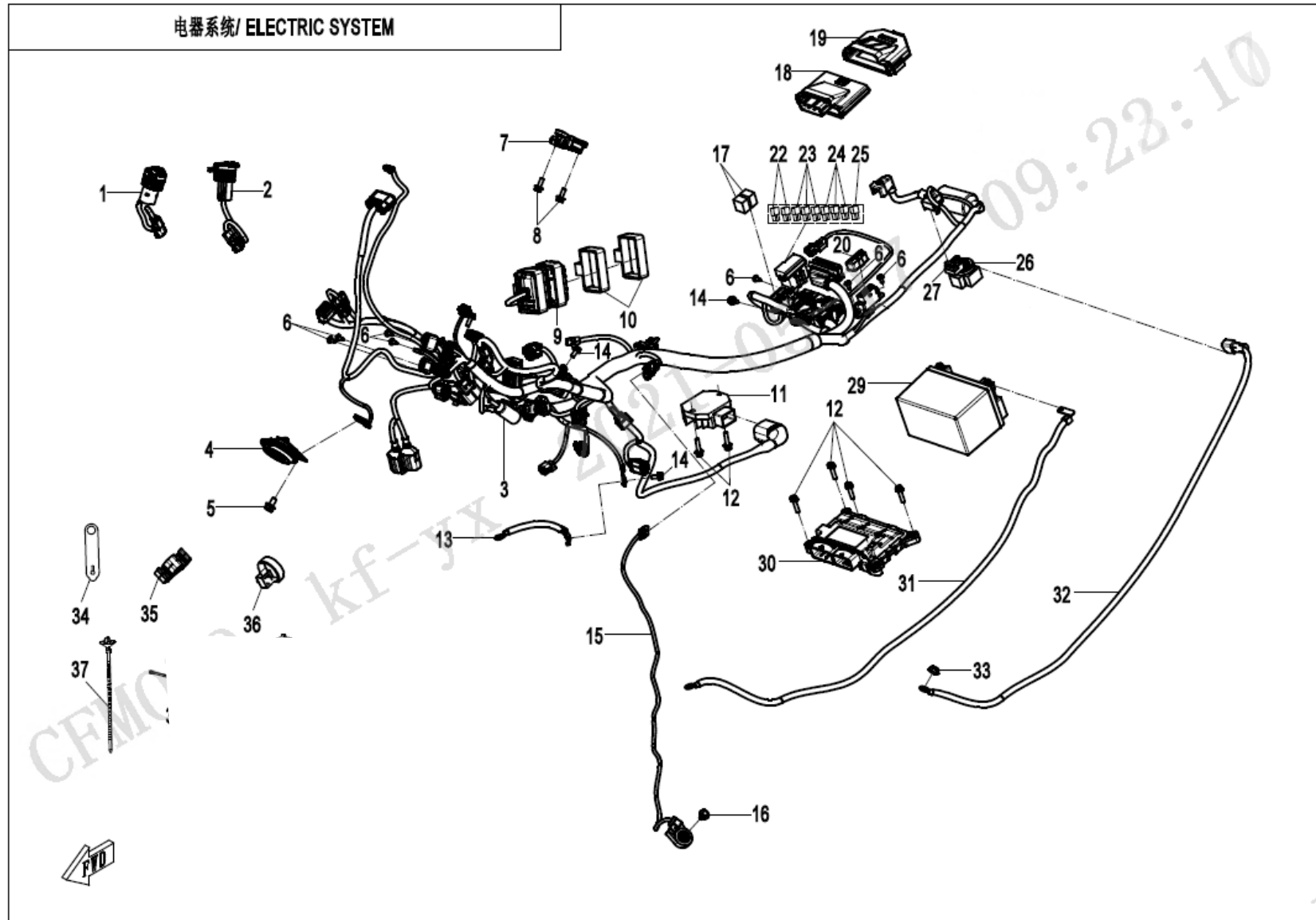
NO.	CODE	EN DESCRIPTION	QTY	REMARKS
F13-B-01	6WWV-130100-5101-11	FRONT HEATED SEAT ASSY	1	TWILIGHT BLUE
F13-B-01	6WWV-130100-5901	FRONT HEATED SEAT ASSY	1	SANDSTONE YELLOW
F13-B-02	6WWV-130101-5000	CUSHION RUBBER WASHER	2	
F13-B-03	6WWV-130102-5000	CUSHION RUBBER WASHER	2	
F13-B-04	6KJ0-130204	RUBBER DAMPER	1	
F13-B-05	6NQ#-000202-6001	BOLT	2	
F13-B-06	6WWV-130200-5100	REAR SEAT ASSY	1	TWILIGHT BLUE
F13-B-06	6WWV-130200-5900	REAR SEAT ASSY	1	SANDSTONE YELLOW
F13-B-07	6KM0-130205	RUBBER	2	
F13-B-08	30006-080035810	BOLT M8x35	2	
F13-B-09	30305-080112	WASHER M8	2	
F13-B-10	6WWV-130202-5000	FRONT RUBBER SLEEVE, REAR SEAT	2	
F13-B-11	6WWV-130201-5000	FRONT SPACER, REAR SEAT	2	
F13-B-12	6KM#-160420-8001	SPONGE MAT	2	
F13-B-13	6WWV-130102-5100	RUBBER SLEEVE	1	
F13-B-14	8010-150003	TIE BAND	1	



NO.	CODE	EN DESCRIPTION	QTY	REMARKS
F14-01	6WWV-140008-5000	DECO COVER, REAR ARMREST	1	
F14-02	6WWV-046502-5000	STEPPED SCREW M5	8	
F14-03	6WWV-045801-5000	RUBBER	2	
F14-04	30102-080020810	SCREW M8x20	6	
F14-05	30102-080040810	SCREW M8x40	2	
F14-06	6WWV-140003-5000-0VQ00	REAR ARMREST	1	
F14-07	30006-080035810	BOLT M8x35	2	
F14-08	6WWV-140004-5000	BRACKET, REAR ARMREST	2	
F14-09	6WWV-140001-5000	BRACKET, LH REAR FOOTREST	1	
F14-10	A000-140142	PIN SHAFT Dia 8	2	
F14-11	A000-140106	LOCATING GASKET 2	2	
F14-12	30802-00605	CIRCLIP 6	2	
F14-13	5190-037813	SPRING	2	
F14-14	5190-037814	STEEL BALL	2	
F14-15	A000-140104	LOCATING GASKET 1	2	
F14-16	6GU#-140080-6000	RUBBER, REAR FOOTREST BOARD	2	
F14-17	6GU#-140041-6000-0BP00	LH REAR FOOTREST BOARD	1	
F14-18	6WWV-140002-5000	BRACKET, RH REAR FOOTREST	1	
F14-19	30105-050014470	SCREW	8	
F14-20	6GU#-140051-6000-0BP00	RH REAR FOOTREST BOARD	1	
F14-21	6GU#-140202-6000	LIMIT BOLT	2	
F14-22	6GUV-140230-6003-0BP00	RH FRONT FOOTREST SEAT ASSY	1	
F14-23	6WWV-140102-5000	PANEL, LH FRONT FOOTREST BRACKET	1	
F14-24	6WWV-140100-5001	BRACKET, LH FRONT FOOTREST	1	
F14-25	6WWV-140141-5000	PIN SHAFT	2	
F14-26	A000-140103-20000	SPRING	2	
F14-27	30300-100112	WASHER	2	
F14-28	30903-0322210	COTTER PIN 3.2x22	2	
F14-29	6WWV-140110-5000	PEDAL ASSY, GEARSHIFT ROD	1	
F14-31	6NQ#-140104-6002	BOLT, PEDAL	1	
F14-32	6GUV-140101-6000	RUBBER SLEEVE, PEDAL	1	
F14-33	30400-00880	BEARING 8x22x7	2	
F14-34	30204-080810	NUT M8	1	

NO.	CODE	EN DESCRIPTION	QTY	REMARKS
F14-35	6WWV-140120-5000	CONNECTING PART, GEARSHIFT ROD	1	
F14-36	30200-060810	NUT M6	1	
F14-37	30121-060016700	SCREW M6x16	2	
F14-38	6WWV-140200-5001	BRACKET, RH FRONT FOOTREST	1	
F14-39	6WWV-140202-5000	PANEL, RH FRONT FOOTREST BRACKET	1	
F14-40	6WWV-030018-5000	BOLT M12x60	2	
F14-41	6WWV-140050-5000	RUBBER SLEEVE	2	
F14-42	30121-080035860	SCREW M8x35	2	
F14-43	6WWV-140401-5000	DAMPER	4	
F14-44	6WWV-140405-5000	BUSHING	4	
F14-45	6WWV-140121-5000	CONNECTING ROD	1	
F14-46	6GU#-140140-6001	BEARING	1	
F14-47	6GUV-140220-6003-0BP00	LH FRONT FOOTREST SEAT	1	
F14-48	30200-060810	NUT M6	1	
F14-49	6GU#-140160-6001	BEARING	1	
F14-50	6GU#-140206-6000	RH FRONT FOOTREST RUBBER	1	
F14-51	6WWV-140302-5000	RH FRONT FOOTREST SEAT	1	
F14-52	6WWV-140009-5000	BOLT M10x87	1	
F14-53	30006-102035860	BOLT	3	
F14-54	6WWV-140301-5000	LH FRONT FOOTREST SEAT	1	
F14-55	6GU#-140207-6000	BALANCING WEIGHT	2	
F14-56	6GU#-140205-6000	LH FRONT FOOTREST RUBBER	1	
F14-57	6GU#-1400B0-6000-0BP00	RUBBER, RH REAR FOOTREST BOARD	1	
F14-58	6GU#-1400A0-6000-0BP00	RUBBER, LH REAR FOOTREST BOARD	1	

F15-1-B 电器系统 ELECTRIC SYSTEM

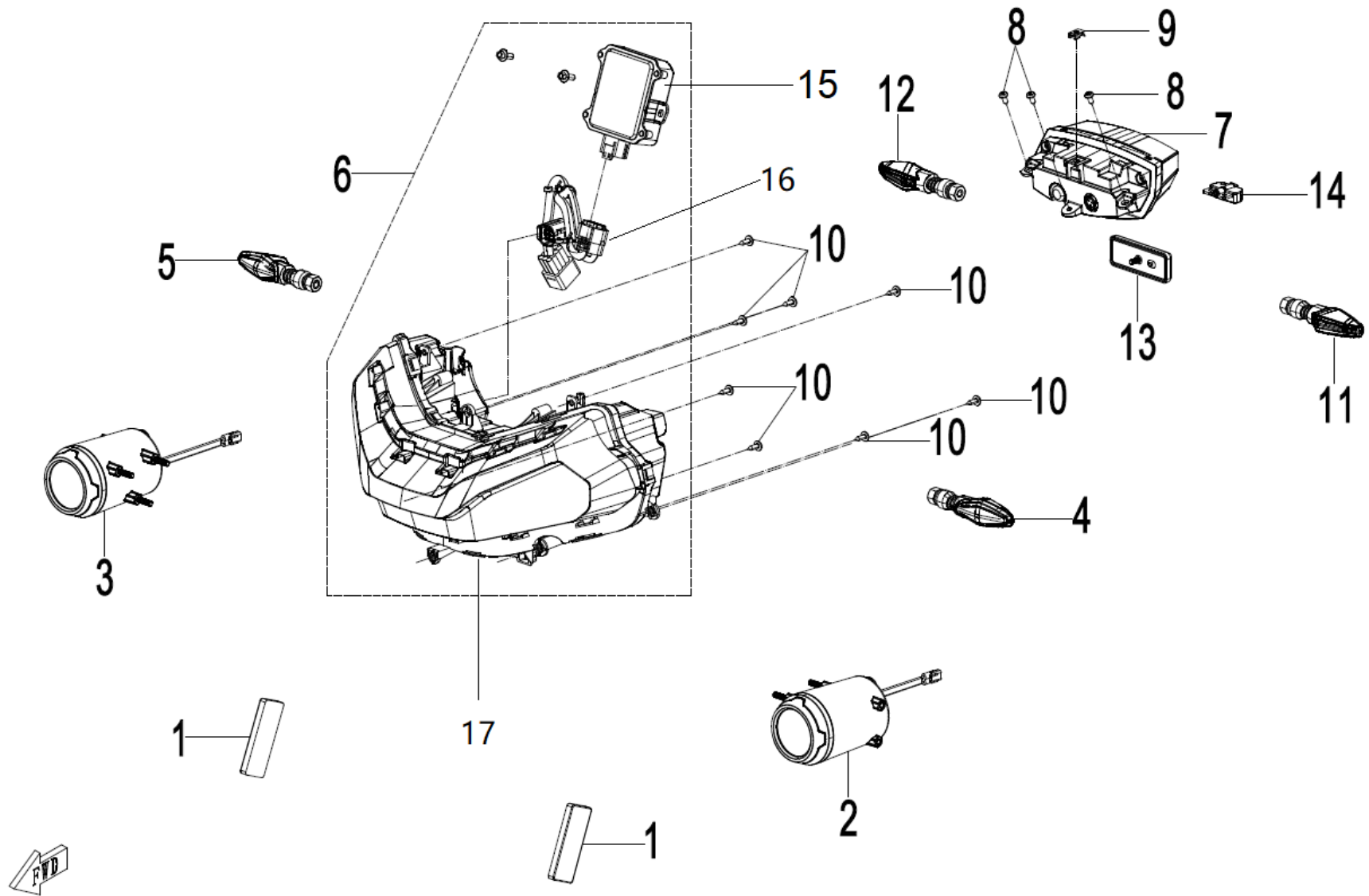


NO.	CODE	EN DESCRIPTION	QTY	REMARKS
F15-1-B-01	6WWV-150500-5000-10	POWER OUTLET SOCKET	1	
F15-1-B-02	6WWV-150600-5000-10	USB OUTLET SOCKET ASSY	1	
F15-1-B-03	6WWV-150100-5201	MAIN CABLE	1	

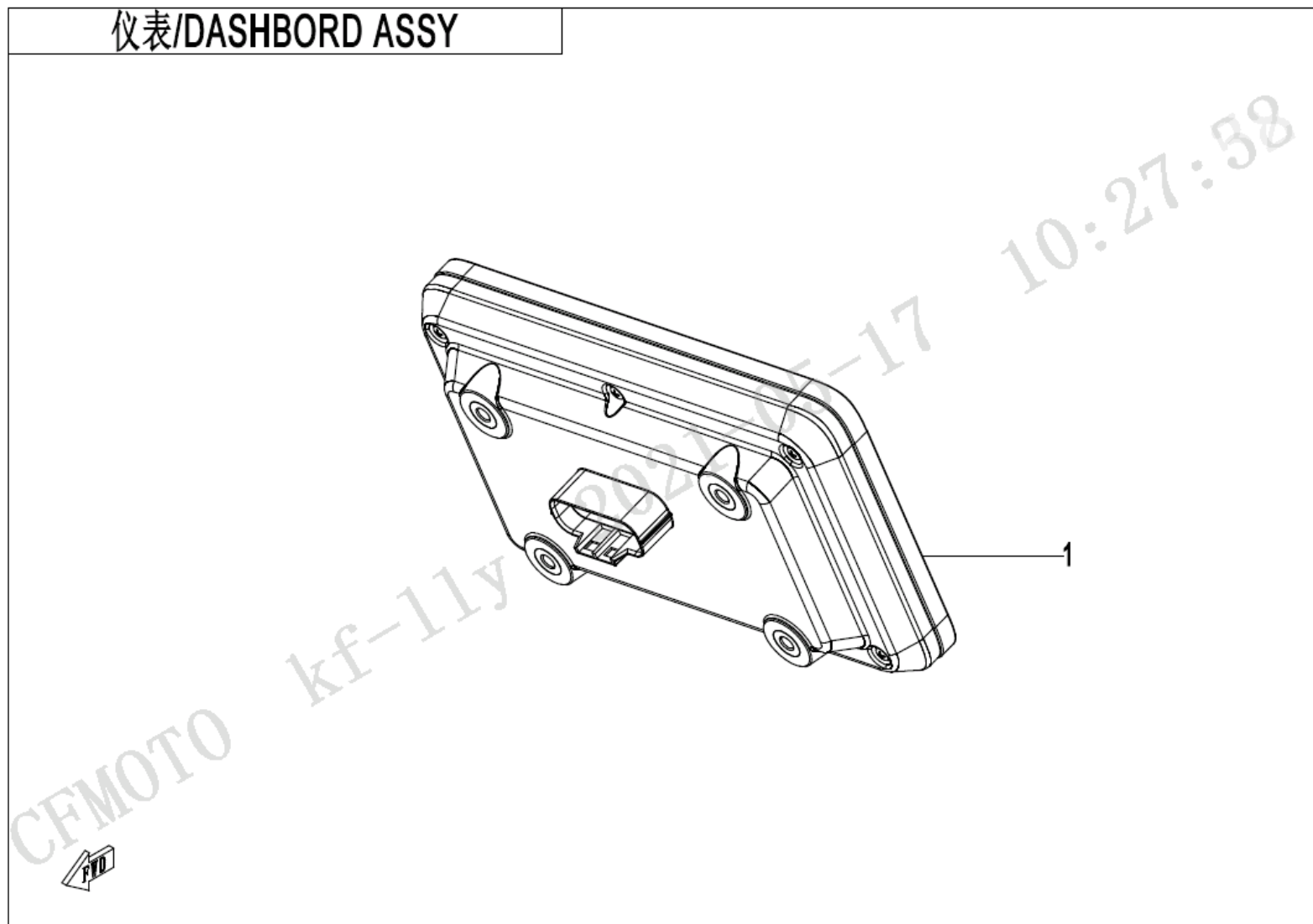


NO.	CODE	EN DESCRIPTION	QTY	REMARKS
F15-1-B-04	KNL0-150600	HORN	1	
F15-1-B-05	30006-080014810	BOLT M8x14	1	
F15-1-B-06	30118-480130010	SELF-TAPPING SCREW ST4.8x13	7	
F15-1-B-07	6L30-080040	6D SENSOR	1	
F15-1-B-08	30006-060016870	BOLT M6x16	2	
F15-1-B-09	SN1V-691100-1201-11	T-BOX	1	
F15-1-B-10	6KMV-150901-B001	RUBBER RING, T-BOX	2	
F15-1-B-11	6WWV-177000-5000-M1	REGULATOR	1	
F15-1-B-12	30006-060025810	BOLT M6x25	6	
F15-1-B-13	6WWV-150300-5000	NEGATIVE CABLE, STARTER MOTOR	1	
F15-1-B-14	30006-060012810	BOLT M6x12	3	
F15-1-B-14	30006-060012870	BOLT M6x12	3	
F15-1-B-15	6WWV-151200-5000	SWITCH, SIDE STAND	1	
F15-1-B-16	8010-090005	BOLT M6x16	1	
F15-1-B-17	A000-150800	AUXILIARY RELAY	2	
F15-1-B-18	6WWV-150410-5000	VEHICLE CONTROL UNIT	1	
F15-1-B-19	6WWV-150420-5000	BUSHING, VEHICLE CONTROL UNIT	1	
F15-1-B-20	5BY0-150305	CAP, DIAGNOSIS CONNECTOR	1	
F15-1-B-22	806A-151301	FUSE 7.5A	2	
F15-1-B-23	806A-151302	FUSE 10A	3	
F15-1-B-24	806A-151305	FUSE 15A	3	
F15-1-B-25	806A-151307	25A FUSE	1	
F15-1-B-26	9CR6-150310	STARTER RELAY	1	
F15-1-B-27	5BY4-151301	30A FUSE	1	
F15-1-B-29	31021100	BATTERY	1	
F15-1-B-30	6WWV-001000-5201	ECU ASSY	1	
F15-1-B-31	6WWV-150400-5000	NEGATIVE WIRE,BATTERY	1	
F15-1-B-32	6WWV-150200-5000	POSITIVE CABLE, STARTER MOTOR	1	
F15-1-B-33	30220-060810	NUT M6	1	
F15-1-B-34	6KJ0-100002	TIE BAND, CLUTCH	9	
F15-1-B-35	6L30-080006	WIRE CLIP 2, BRAKE FLUID HOSE	2	
F15-1-B-36	6L30-150003	TIE	2	
F15-1-B-39	6WWV-150101-5000	TEMPETURE SENSOR	39	

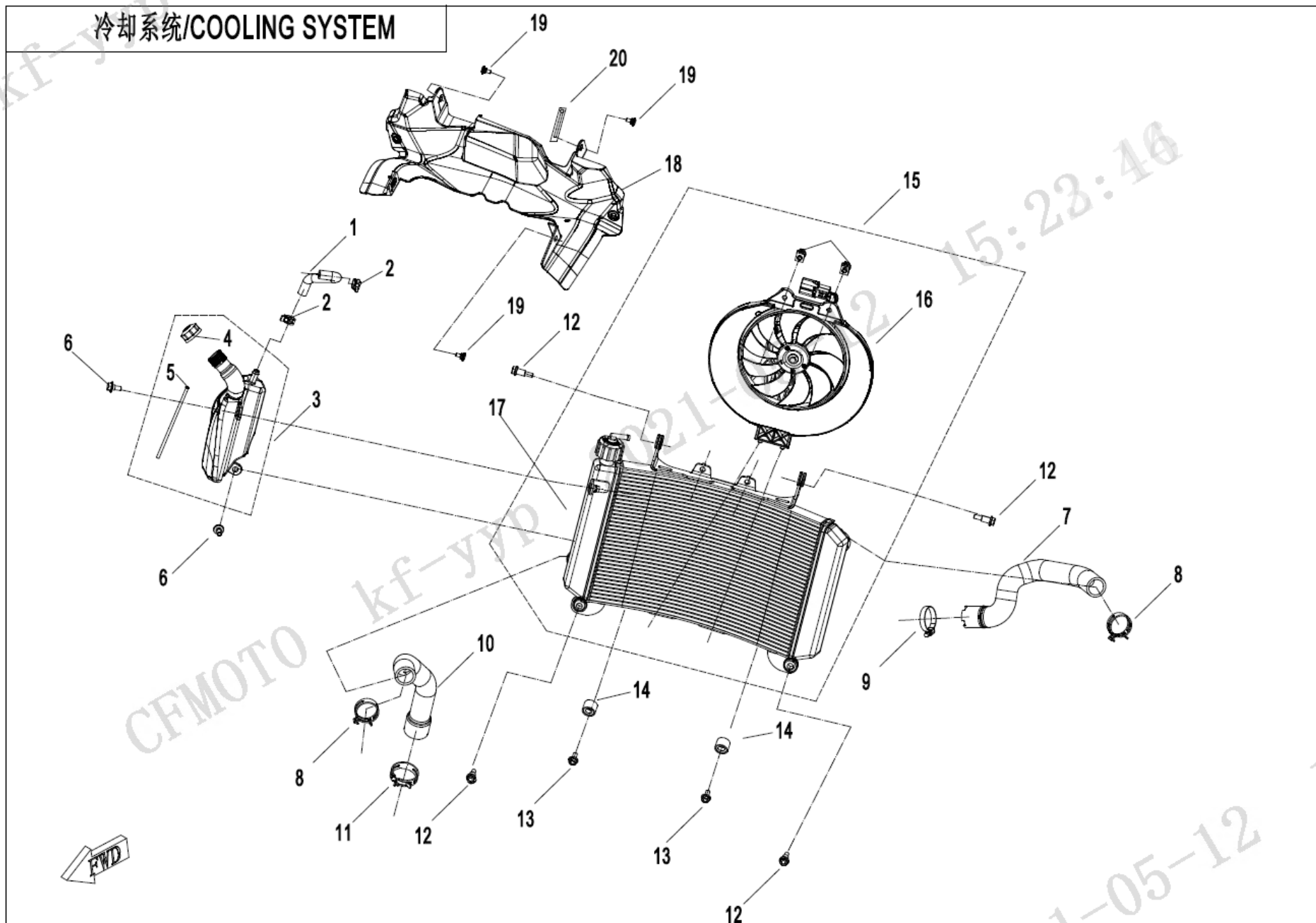
# 灯具/LIGHTS



NO.	CODE	EN DESCRIPTION	QTY	REMARKS
F16-01	6WWV-160220-5000	SIDE REFLECTOR	2	
F16-02	6WWV-160600-5000	LH FRONT FOG LIGHT	1	
F16-03	6WWV-160700-5000	RH FRONT FOG LIGHT	1	
F16-04	6KM#-160400-8000	LH FRONT TURN LIGHT	1	
F16-05	6KM#-160500-8000	RH FRONT TURN LIGHT	1	
F16-06	6WWV-161000-5600	HEADLIGHT ASSY	1	
F16-07	6WWV-160200-5000	TAIL LIGHT ASSY	1	
F16-08	30110-481130010	SELF-TAPPING SCREW ST4.8x13	3	
F16-09	6KM#-040081-8000-M1	NUT CLIP M5	1	
F16-10	30110-480160010	SELF-TAPPING SCREW ST4.8x16	8	
F16-11	6KM0-160400-00004	FRONT TURN LIGHT, LH	1	
F16-12	6KM0-160500-00004	FRONT TURN LIGHT, RH	1	
F16-13	6WWV-160230-5000	REAR REFLECTOR	1	
F16-14	6WWV-160300-5000	LICENSE LIGHT	1	
F16-15	6WWV-160110-5600	CONTROLLER, HEADLIGHT	1	
F16-16	6WWV-160120-5001	CABLE, HEADLIGHT	1	
F16-17	6WWV-160100-5000	HEADLIGHT	1	

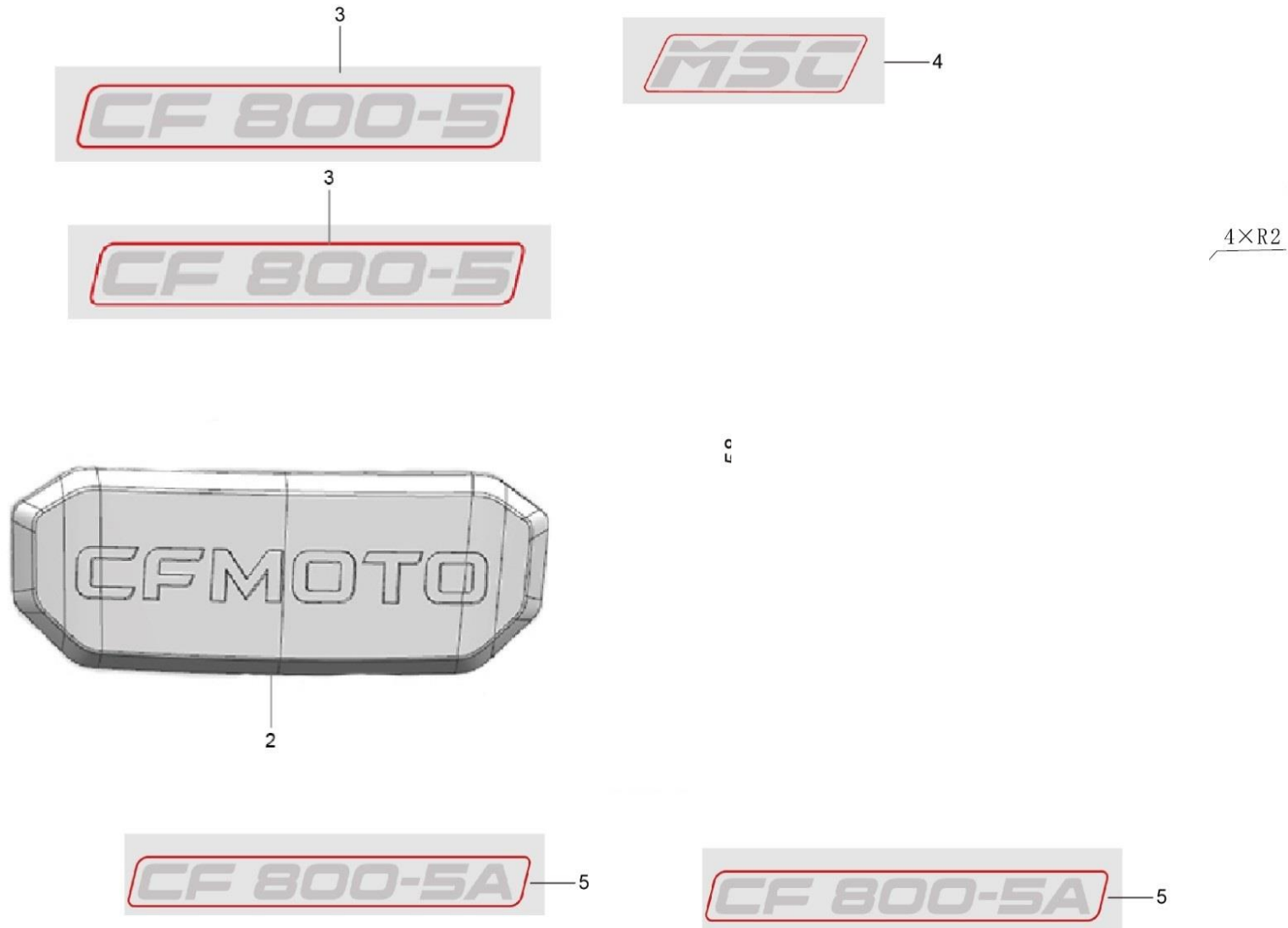


NO.	CODE	EN DESCRIPTION	QTY	REMARKS
F17-01	6WWV-170100-5100-10	LCD DASHBOARD	1	WITH HEATING HANDLE AND HEATING SEAT



NO.	CODE	EN DESCRIPTION	QTY	REMARKS
F18-01	6WWV-180004-5000	CONNECTING PIPE, RESERVOIR TANK	1	
F18-02	30601-212530	CLAMP B12.5	2	
F18-03	6WWV-180010-5000	RESERVOIR TANK ASSY	1	
F18-04	6KM#-180210-8000	RESERVOIR TANK CAP ASSY	1	
F18-05	6WWV-180011-5000	PIPE, RESERVOIR TANK	1	
F18-06	8010-000004	BOLT M6x14	2	
F18-07	6WWV-180001-5000	WATER INLET PIPE, RADIATOR	1	
F18-08	6WWV-180006-5000	CLAMP B32	2	
F18-09	30603-040000	CLAMP d40	1	
F18-10	6WWV-180002-5000	WATER OUTLET PIPE, RADIATOR	1	
F18-11	6WWV-180007-5000	CLAMP B38	1	
F18-12	6WWV-180008-5000	STEPPED SCREW M6x25	4	
F18-13	30006-060010810	BOLT M6x10	2	
F18-14	6WWV-180009-5000	THREADED DAMPING RUBBER	2	
F18-15	6WWV-181000-5000	FAN ASSY, RADIATOR	1	
F18-16	6WWV-181010-5000	FAN MOTOR ASSY	1	
F18-17	6WWV-181100-5000	RADIATOR ASSY	1	
F18-18	6WWV-180005-5000	REAR FENDER, RADIATOR	1	
F18-19	6WWV-046502-5000	STEPPED SCREW M5	3	
F18-20	0180-014010	WIRE CLAMP	1	

F19-1 标贴 LABEL

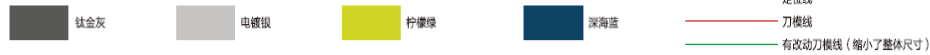


NO.	CODE	EN DESCRIPTION	QTY	REMARKS
F19-1-02	6WWV-190001-5000	CFMOTO STICKER	1	
F19-1-03	6WWV-190107-5000-10	MODEL DECAL	2	
F19-1-04	6WWV-190108-5000-10	DECAL, FRONT FENDER	1	
F19-1-05	6WWV-190107-5000-12	MODEL DECAL	1	

F19-4 贴花(深海蓝) DECAL(TWILIGHT BLUE)

6WWV-190100-5000-12 个性贴花总成

深海蓝高配版配色



采用透明PVC面料, 亮光光油

序号	图号	名称	尺寸	数量	材料	表面处理	粘接底材	粘接表面材料	粘接表面处理
01	6WWV-190101-5000-10	CFMOTO贴花 I (左)	232*30	1	透明pvc	亮光光油	20号瓦底	塑料(PBT+PC)	亮光油漆
02	6WWV-190102-5000-10	CFMOTO贴花 II (右)	238*34	1	透明pvc	亮光光油	20号瓦底	塑料(PBT+PC)	亮光油漆
03	6WWV-190103-5000-12	左前侧燃料护板贴花	456*121	1	透明pvc	亮光光油	20号瓦底	塑料(PBT+PC)	亮光油漆
04	6WWV-190104-5000-12	右前侧燃料护板贴花	456*124	1	透明pvc	亮光光油	20号瓦底	塑料(PBT+PC)	亮光油漆
05	6WWV-190105-5000-10	右侧燃料护板贴花	295*90	1	透明pvc	亮光光油	20号瓦底	塑料(PBT+PC)	亮光油漆
06	6WWV-190106-5000-10	左侧燃料护板贴花	302*92	1	透明pvc	亮光光油	20号瓦底	塑料(PBT+PC)	亮光油漆

NO.	CODE	EN DESCRIPTION	QTY	REMARKS
F19-4-01	6WWV-190101-5000-10	CFMOTO STICKER 1	1	
F19-4-02	6WWV-190102-5000-10	CFMOTO STICKER 2	1	
F19-4-03	6WWV-190103-5000-12	DECAL, LH FRONT FUEL TANK PANEL	1	
F19-4-04	6WWV-190104-5000-12	DECAL, RH FRONT FUEL TANK PANEL	1	
F19-4-05	6WWV-190105-5000-10	DECAL, RH FUEL TANK PANEL	1	
F19-4-06	6WWV-190106-5000-10	DECAL, LH FUEL TANK PANEL	1	
F19-4-07	6WWV-190100-5000-12	DECAL ASSY	1	



F19-5 贴花 (沙漠黄) DECAL (SANDSTONE YELLOW)

6WWV-190100-5000-13 个性贴花总成

沙漠黄配色



备注: 图纸中标注材料为我司推荐材料, 允许使用其他满足使用要求或性能与推荐材料相当的材料。

采用透明PVC面料, 哑光光油

序号	图号	名称	尺寸	数量	材料	表面效果	粘接弧度	粘接表面基材	粘接表面处理
01	6WWV-190101-5000-13	CFMOTO贴纸1 (左)	232*30	1	透明PVC	哑光光油	20小弧度	塑料 (PBT+PC)	哑光漆膜

序号	图号	名称	尺寸	数量	材料	表面效果	粘接弧度	粘接表面基材	粘接表面处理
02	6WWV-190102-5000-13	CFMOTO贴纸2 (右)	238*34	1	透明PVC	哑光光油	20小弧度	塑料 (PBT+PC)	哑光漆膜

序号	图号	名称	尺寸	数量	材料	表面效果	粘接弧度	粘接表面基材	粘接表面处理
03	6WWV-190103-5000-13	左前油箱护板贴花	472*191	1	透明PVC	哑光光油	20小弧度	塑料 (PBT+PC)	哑光漆膜

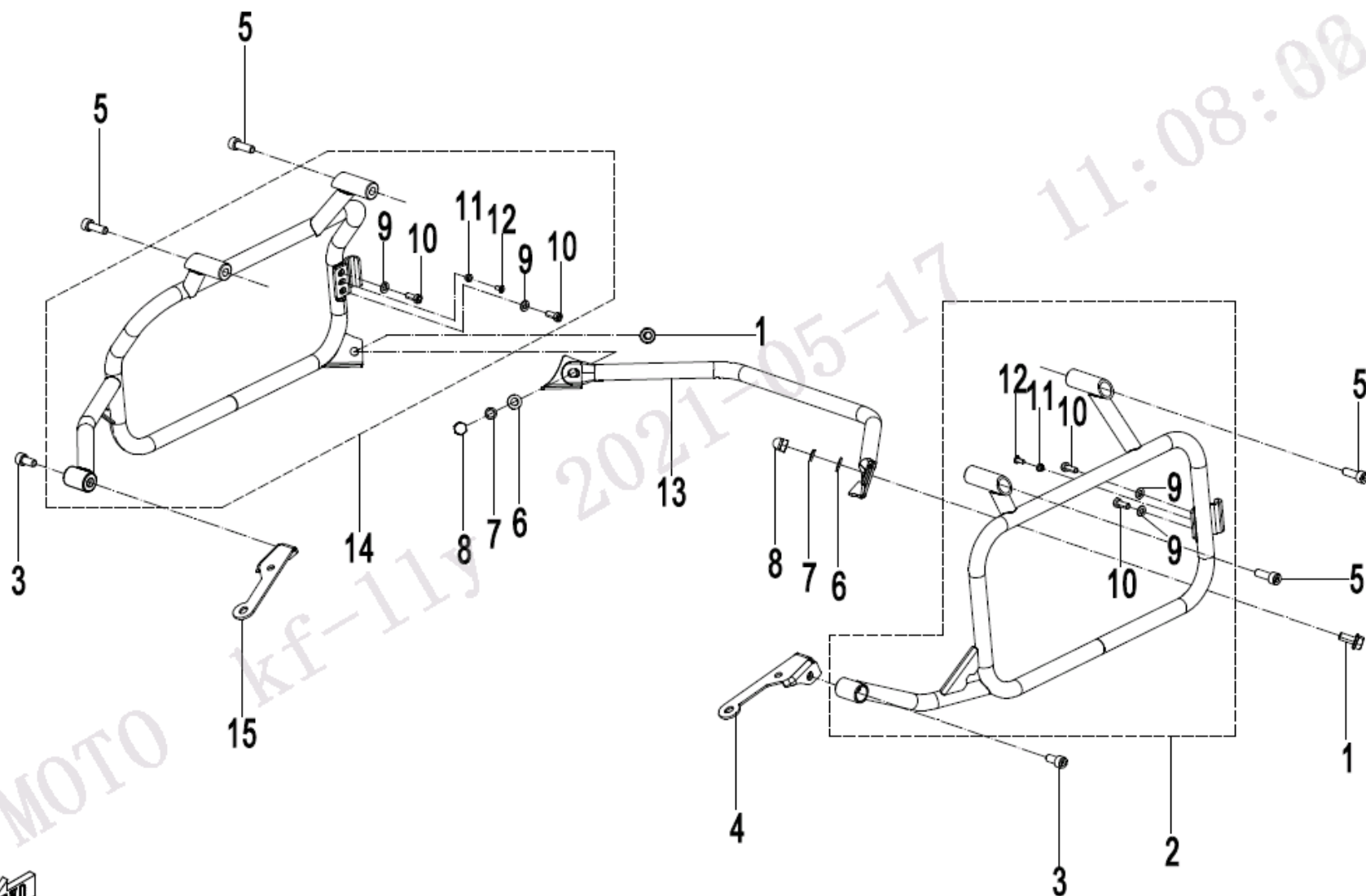
序号	图号	名称	尺寸	数量	材料	表面效果	粘接弧度	粘接表面基材	粘接表面处理
04	6WWV-190104-5000-13	右前油箱护板贴花	456*214	1	透明PVC	哑光光油	20小弧度	塑料 (PBT+PC)	哑光漆膜

序号	图号	名称	尺寸	数量	材料	表面效果	粘接弧度	粘接表面基材	粘接表面处理
05	6WWV-190105-5000-13	左油箱护板贴花	256*60	1	透明PVC	哑光光油	20小弧度	塑料 (PBT+PC)	哑光漆膜

序号	图号	名称	尺寸	数量	材料	表面效果	粘接弧度	粘接表面基材	粘接表面处理
06	6WWV-190106-5000-13	右油箱护板贴花	308*62	1	透明PVC	哑光光油	20小弧度	塑料 (PBT+PC)	哑光漆膜

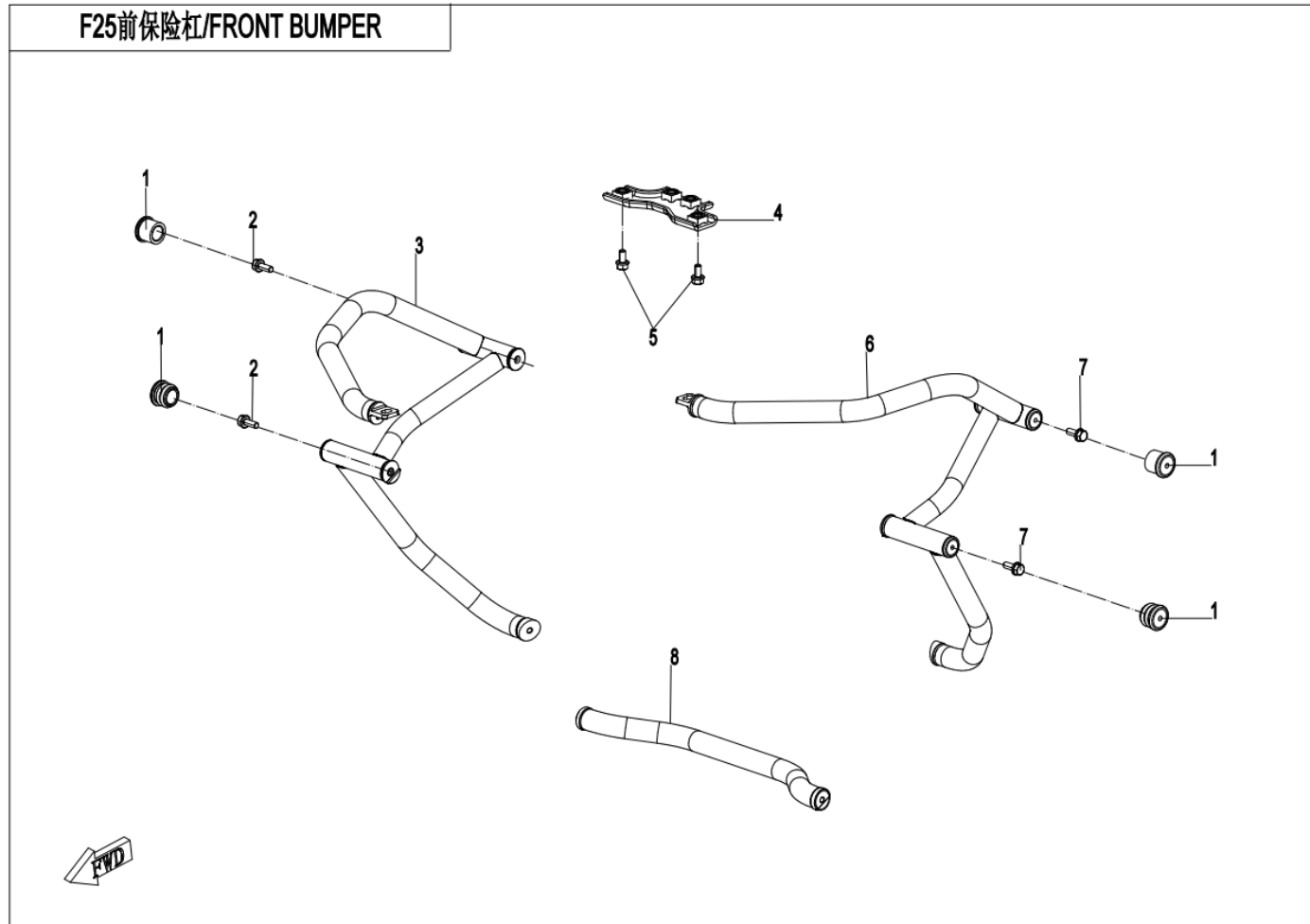
NO.	CODE	EN DESCRIPTION	QTY	REMARKS
F19-5-01	6WWV-190101-5000-13	CFMOTO STICKER 1	1	
F19-5-02	6WWV-190102-5000-13	CFMOTO STICKER 2	1	
F19-5-03	6WWV-190103-5000-13	DECAL, LH FRONT FUEL TANK PANEL	1	
F19-5-04	6WWV-190104-5000-13	DECAL, RH FRONT FUEL TANK PANEL	1	
F19-5-05	6WWV-190105-5000-13	DECAL, LH FUEL TANK PANEL	1	
F19-5-06	6WWV-190106-5000-13	DECAL, RH FUEL TANK PANEL	1	
F19-5-07	6WWV-190100-5000-13	DECAL ASSY	1	

# 边箱/SIDE BOXES



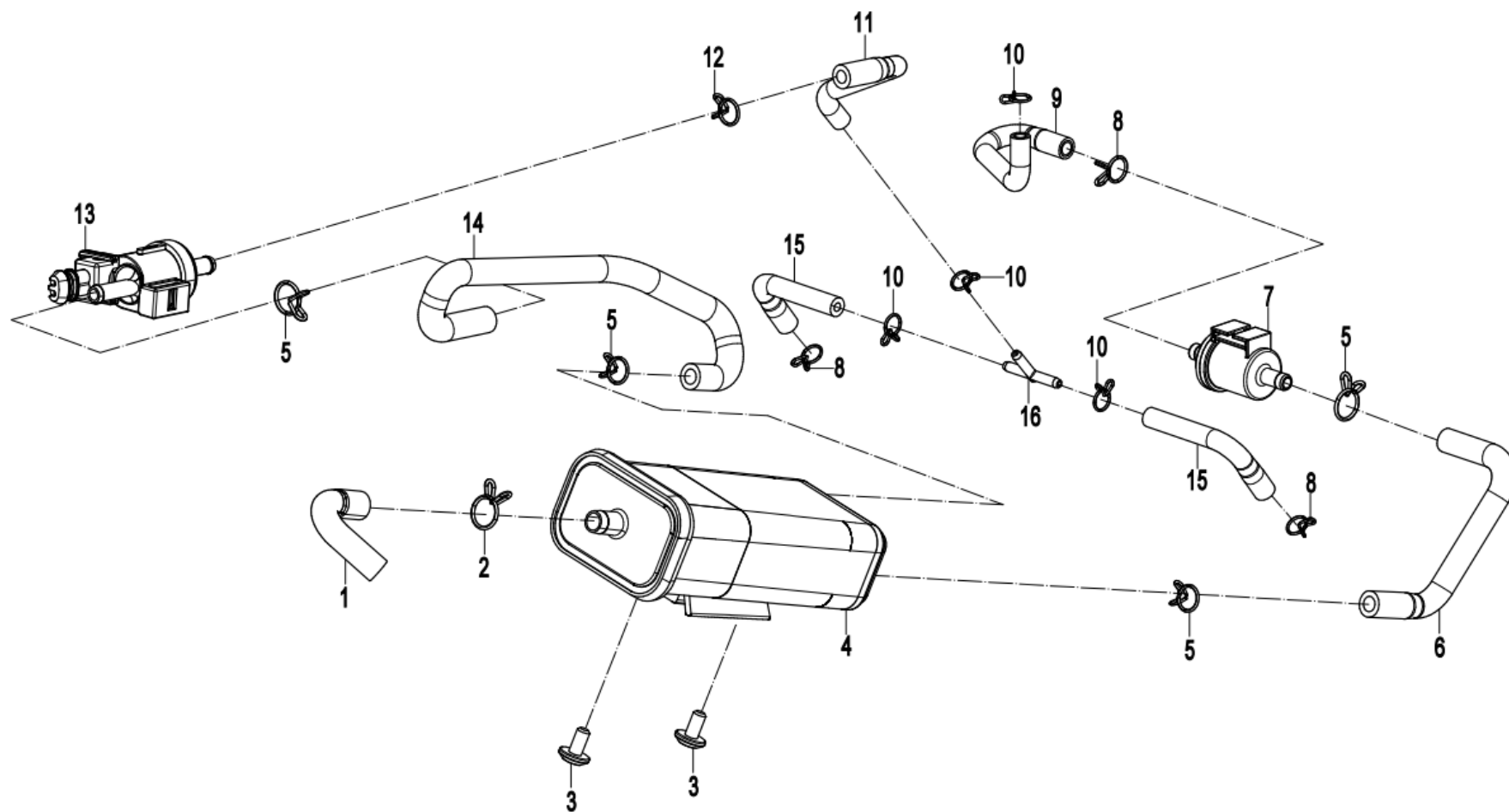
NO.	CODE	EN DESCRIPTION	QTY	REMARKS
F22-01	30006-080016810	BOLT M8x16	2	
F22-02	6WWV-221000-5000-0VQ00	LH ASSY, SIDE BOX BRACKET	1	
F22-03	30006-080016810	BOLT M8x16	2	
F22-04	6WWV-030800-5000	LH FRONT SEAT, SIDE BOX BRACKET	1	
F22-05	30102-080025810	SCREW M8x25	4	
F22-06	30306-080112	WASHER M8	2	
F22-07	30303-080112	WASHER M8	2	
F22-08	30206-080510	NUT M8	2	
F22-09	6WWV-221000-5000-20	WASHER	4	
F22-10	6WWV-221000-5000-21	SCREW	4	
F22-11	6WWV-221000-5000-22	T-TYPE BUSHING M6x14	2	
F22-12	6WWV-221000-5000-23	BLIND RIVET 4x12	2	
F22-13	6WWV-220300-5000-0VQ00	CONNECTING ROD, SIDE BOX BRACKET	1	
F22-14	6WWV-222000-5000-0VQ00	RH ASSY, SIDE BOX BRACKET	1	
F22-15	6WWV-030900-5000	RH FRONT SEAT, SIDE BOX BRACKET	1	

F25 前保险杠 FRONT BUMPER



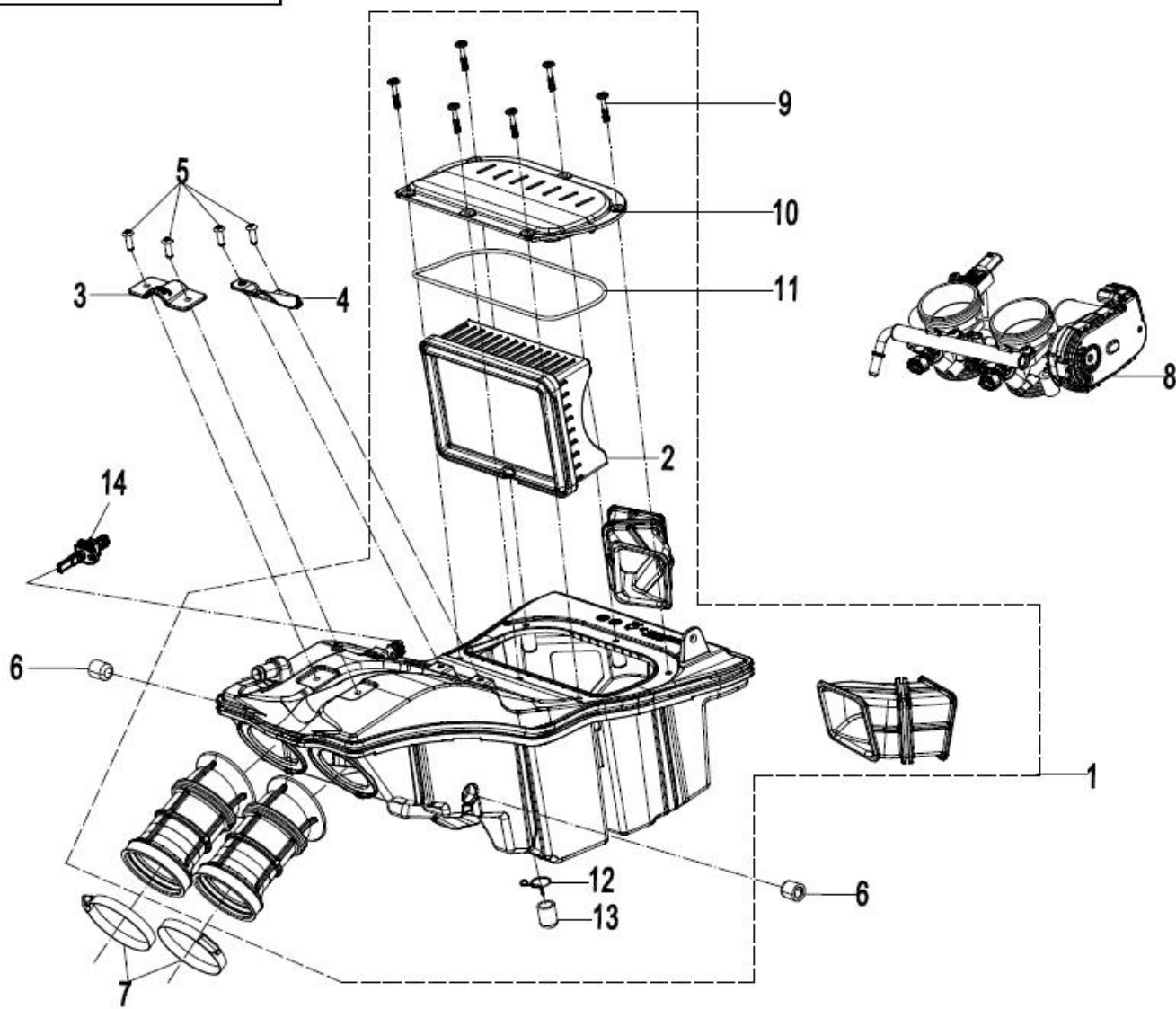
NO.	CODE	EN DESCRIPTION	QTY	REMARKS
F25-01	6WWV-250001-5000	DECO COVER, BUMPER	4	
F25-02	30006-080020810	BOLT M8x20	2	
F25-03	6WWV-250200-5000-0VQ00	FRONT RH BUMPER ASSY	1	
F25-04	6WWV-250300-5000	CONNECTING BRACKET, BUMPER	1	
F25-05	30006-080016810	BOLT M8x16	2	
F25-06	6WWV-250100-5000-0VQ00	FRONT LH BUMPER ASSY	1	
F25-07	30006-080020810	BOLT M8x20	2	
F25-08	6WWV-250400-5000-0BP00	MIDDLE CONNECTING BRACKET, BUMPER	1	

燃油蒸发系统/FUEL VAPOPION SYSTEM



NO.	CODE	EN DESCRIPTION	QTY	REMARKS
F36-01	6WWV-360006-5000	AIR PIPE, CANISTER	1	
F36-02	30601-113010	CLAMP A13	1	
F36-03	6WWV-046702-5000	INNER HEX SCREW M6x12	2	
F36-04	1F30-172000	CANISTER MAGNETIC VALVE	1	
F36-05	30601-112010	CLAMP A12	4	
F36-06	6WWV-360002-5000	FUEL ADSORPTION PIPE 2	1	
F36-07	6WWV-360010-5000	TWO-WAY VALVE	1	
F36-08	30601-110010	CLAMP A10	3	
F36-09	6WWV-360001-5000	FUEL ADSORPTION PIPE 1	1	
F36-10	30601-109010	CLAMP A9	4	
F36-11	6WWV-360004-5000	FUEL DESORPTION PIPE 2	1	
F36-12	30601-111010	CLAMP A11	1	
F36-13	6WWV-360200-5000	CANISTER	1	
F36-14	6WWV-360003-5000	FUEL DESORPTION PIPE 1	1	
F36-15	6WWV-360005-5000	FUEL DESORPTION PIPE 3	2	
F36-16	6WWV-360007-5000	VACUUM T-JOINT	1	

空濾器/ AIR FILTER



NO.	CODE	EN DESCRIPTION	QTY	REMARKS
F41-01	OPW0-111000	AIR FILTER ASSY	1	
F41-02	OPW0-111100	FILTER ELEMENT ASSY.	1	
F41-03	OPW0-110001	FRONT PRESSING PLATE, MAIN CABLE	1	
F41-04	OPW0-110002	REAR PRESSING PLATE, MAIN CABLE	1	
F41-05	30110-480160070	SELF-TAPPING SCREW	4	
F41-06	OPW0-110005	RUBBER CONNECTOR	2	
F41-07	9010-020007	A-TYPE SCREW CLAMP	2	
F41-08	OPW0-173000	THROTTLE BODY ASSY	1	
F41-09	OPW0-111008	LOCK SCREW, UPPER PRESSING PLATE	6	
F41-10	OPW0-111006	UPPER PRESSING PLATE, AIR FILTER	1	
F41-11	OPW0-111007	SEAL STRAP, AIR FILTER	1	
F41-12	30601-114510	CLAMP	1	
F41-13	OPW0-111004	OIL STORAGE HEAD	1	
F41-14	OPW0-173100	AIR INTAKE TEMP. SENSOR	1	



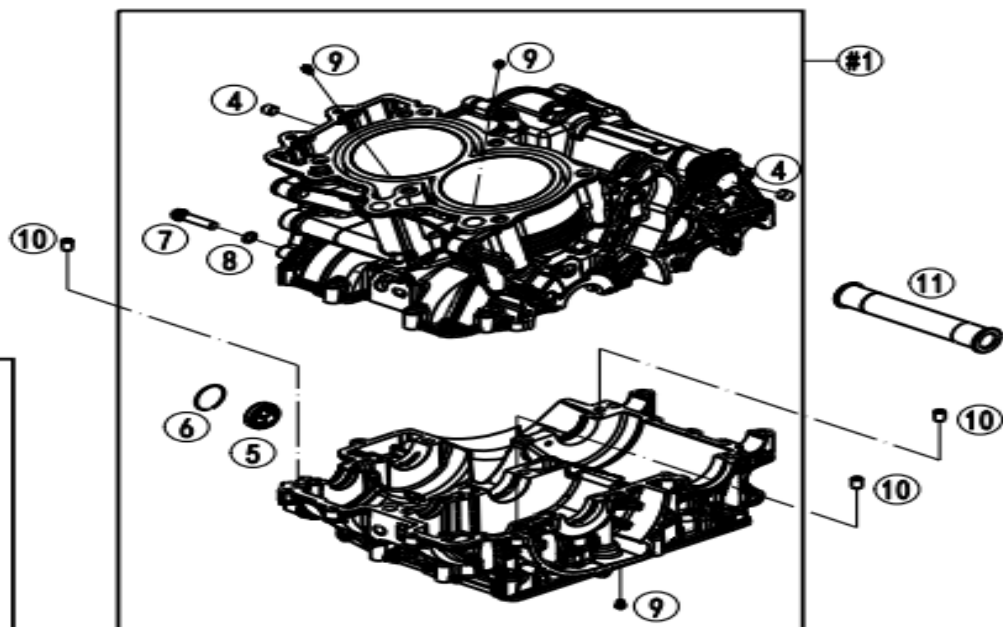
E01-1 箱体组件 ENGINE CASE

①

#1	4	5	6
7	8	9	

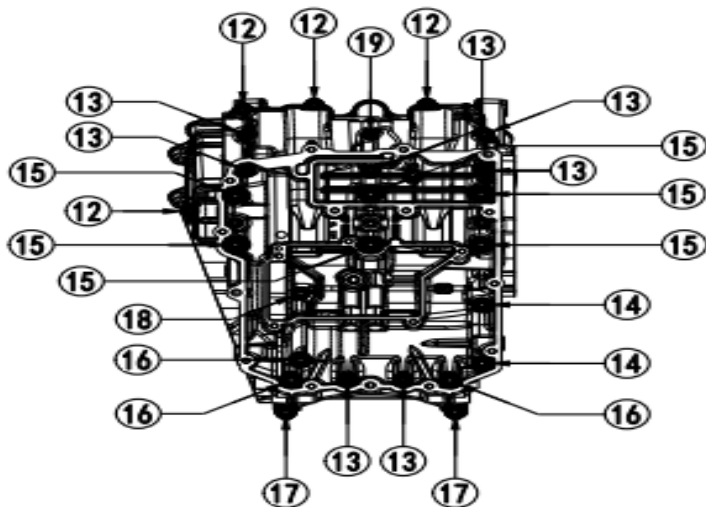
+ 密封件  
 1X C90033088000  
 1X C0760142460

+ 轴承  
 1X C0625068911  
 1X C0625068060  
 2X C90032095000  
 1X C0618101410



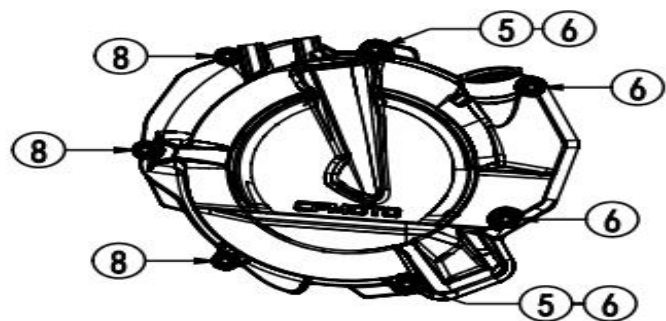
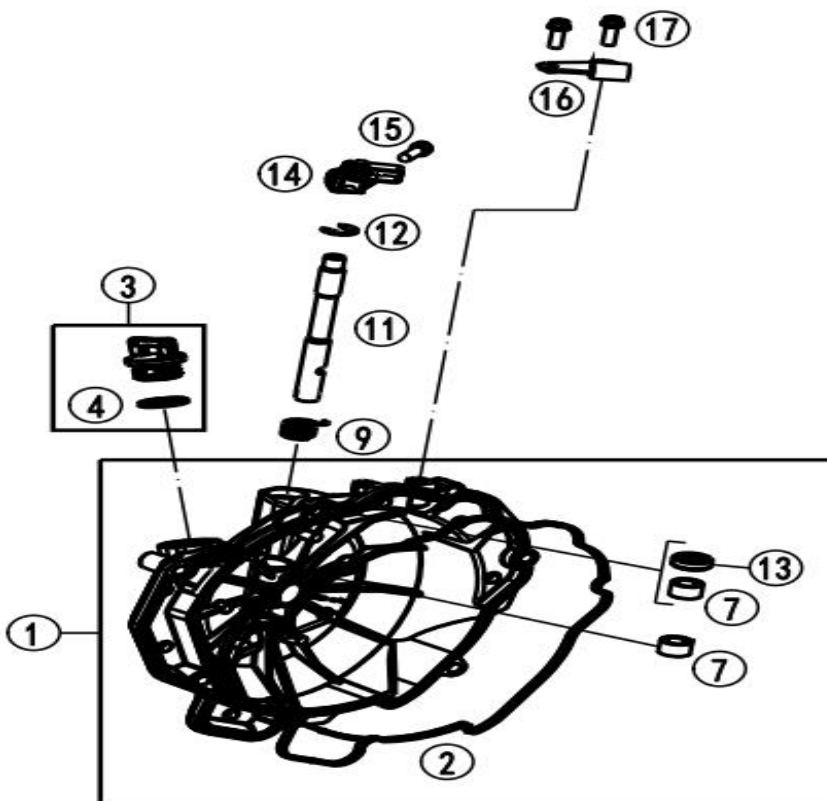
⑨⑨

发动机 垫片包
------------



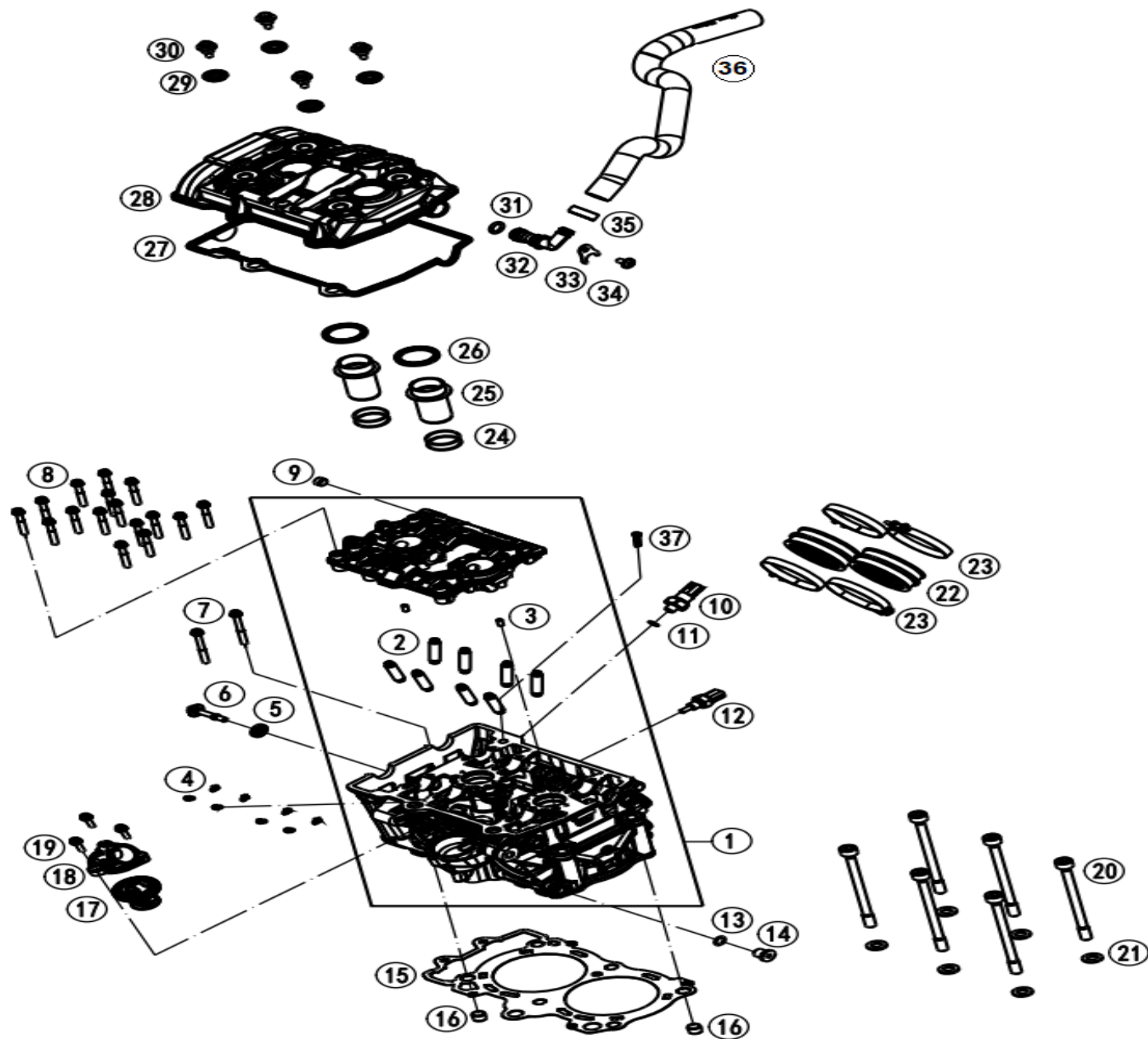
NO.	CODE	EN DESCRIPTION	QTY	REMARKS
E01-1-01	C9003000024424	ENGINE CASE CPL.	1	
E01-1-01	C90030000244FBP	ENGINE CASE CPL.	1	
E01-1-04	C0906100100	SCREW 10X1-8 DIN 906	2	
E01-1-05	C90030019200	OIL LEVEL VIEWER	1	
E01-1-06	C90030019050	CIRCLIP RB30X1	1	
E01-1-07	C0025080356	SCREW. M8X35	1	
E01-1-08	C0603082131	CU RING D8,2/13/1	1	
E01-1-09	C90030063070	PISTON NOZZLE	3	
E01-1-10	C90030024000	FITTING SLEEVE 6X8X11	3	
E01-1-11	C90030010000	SWING ARM BUSH	1	
E01-1-12	C00002506030U0	HEX COLLAR SCR.,M6X30,ISA 40 W.WASHER	4	
E01-1-13	C00002506060U0	HEX COLLAR SCR.,M6X60,ISA 30 W.WASHER	7	
E01-1-14	C0025080906	SCREW M8X90	2	
E01-1-15	C00002508090U0	HEX COLLAR SCR.,M8X90,ISA 40 W.WASHER	6	
E01-1-16	C0025080656	SCREW M8X65	3	
E01-1-17	C0025080556	SCREW M8X55	2	
E01-1-18	C0025080456	SCREW M8X45	1	
E01-1-19	C00002508065U0	HEX COLLAR SCR.,M8X65,ISA 40 W.WASHER	1	
E01-1-99	C90030099000	GASKET-SET	1	

E01-2 离合器盖 CLUTCH COVER



NO.	CODE	EN DESCRIPTION	QTY	REMARKS
E01-2-01	C9003000114424	CLUTCH COVER CPL.	1	
E01-2-01	C90030001144FBP	CLUTCH COVER CPL.	1	
E01-2-02	C90030025100	MOLD RING CLUTCH COVER	1	
E01-2-03	C90030020100FHB	OIL PLUG CPL. M24X3	1	
E01-2-04	C90030020100	PLUG COMPL. M24X3	1	
E01-2-05	C0770191015	O-RING	1	
E01-2-06	C90030024000	FITTING SLEEVE 6X8X11	2	
E01-2-07	C0025060356	SCREW M6X35	4	
E01-2-08	C0618121610	NEEDLE SLEEVE HK1210 12/16/10	2	
E01-2-09	C0025060256	SCREW M6X25	3	
E01-2-10	C90032048003	RETURN SPRING RELEASE LEVER	1	
E01-2-11	C90032049000	RELEASE SHAFT	1	
E01-2-12	C0799090003	LOCKING WASHER	1	
E01-2-13	C0760122060	SEAL 12/20/6	1	
E01-2-14	C90032148033	RELEASE LEVER ASSEMBLY	1	
E01-2-15	C014580060206S	CYL. SCREW M6X20	2	
E01-2-16	C90032052100	CABLE RETAINING BRACKET	1	
E01-2-17	C0025060166S	SCREW M6X16	2	

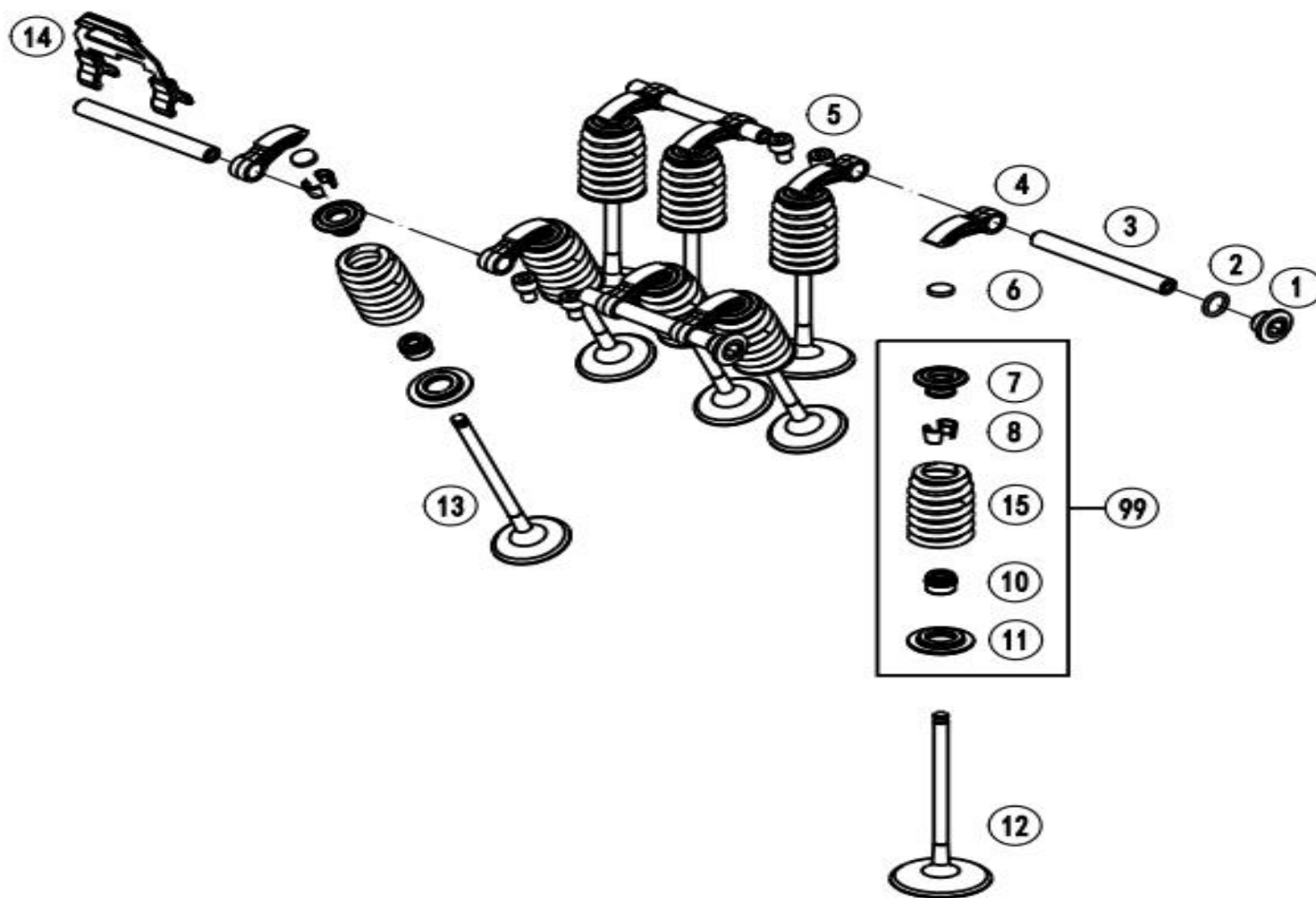
E02-1 气缸盖 CYLINDER HEAD



NO.	CODE	EN DESCRIPTION	QTY	REMARKS
E02-1-01	C9003602010024	CYLINDER HEAD CPL.	1	SILVER FOR BLUE BIKE
E02-1-01	C90036020100FBP	CYLINDER HEAD	1	BLACK FOR YELLOW BIKE
E02-1-02	C90036025000	VALVE GUIDE INLET+EXHAUST	8	
E02-1-03	C0402050980	NEEDLE ROLLER 5X9.8	2	
E02-1-04	C90030063050	OIL PRESSURE NOZZLE M5 50	8	
E02-1-05	C90036052010	DECOUPLING	1	
E02-1-06	C90036055000	VALVE MECHANISM COVER SCREW	1	
E02-1-07	C0025060556	SCREW M6X55	2	
E02-1-08	C0025060405	SCREW M6X40	16	
E02-1-09	C0906100100	SCREW 10X1-8 DIN 906	1	
E02-1-10	C90038091000	OIL PRESSURE SWITCH	1	
E02-1-11	C07700900151	O-RING 9X1,5	1	
E02-1-12	C90035047000	COOLANT TEMPERATURE SENSOR	1	
E02-1-13	C0770100020	O-RING	1	
E02-1-14	C0908120153	SCREW M12X1,5	1	
E02-1-15	C90030036300	CYLINDER HEAD GASKET	1	
E02-1-16	C90030014100	PASS BUSHING 10,2/12,5/10	2	
E02-1-17	C90035017000	THERMOSTAT 76°C	1	
E02-1-18	C63635019000	COOLANT CONNECTION	1	
E02-1-19	C0025050166S	SCREW M5X16	3	
E02-1-20	C90030044000	CYLINDER HEAD SCREW M10	6	
E02-1-21	C90036089010	WASHER 10,5/19/2,5	6	
E02-1-22	C90036044000	INTAKE RUBBER	2	
E02-1-23	C90036048000	HOSE CLAMP D66	4	
E02-1-24	C0770298178	O-RING 29,87X1,78	4	
E02-1-25	C63536075000	SPARK PLUG SHAFT INSERT	2	
E02-1-26	C90036075050	GASKET SPARK PLUG SHAFT INSERT	2	
E02-1-27	C90036053000	VALVE MANISM COVER GASKET	1	
E02-1-28	C90036052000FBP	VALVE MECHANISM COVER RAW PART	1	
E02-1-29	C90036054160	DECOUPLING ELEMENT	4	
E02-1-30	C90036054150	VALVE COVER SCREW	4	
E02-1-31	C0770012030	O-RING 12X3 VITON	1	
E02-1-32	C90036081000	ANGLE PIECE BLEEDER	1	

NO.	CODE	EN DESCRIPTION	QTY	REMARKS
E02-1-33	C90036082150	RETAINING BRACKET ANGLE PIECE	1	
E02-1-34	C0025060126	SCREW M6X12	1	
E02-1-35	C00050198706	VARIABLE ONE-YEAR CLAMP 19.8MM	1	
E02-1-36	C90030087100	ENIGNE BREATHER HOSE	1	
E02-1-37	C90038016000	OIL SCREEN	1	

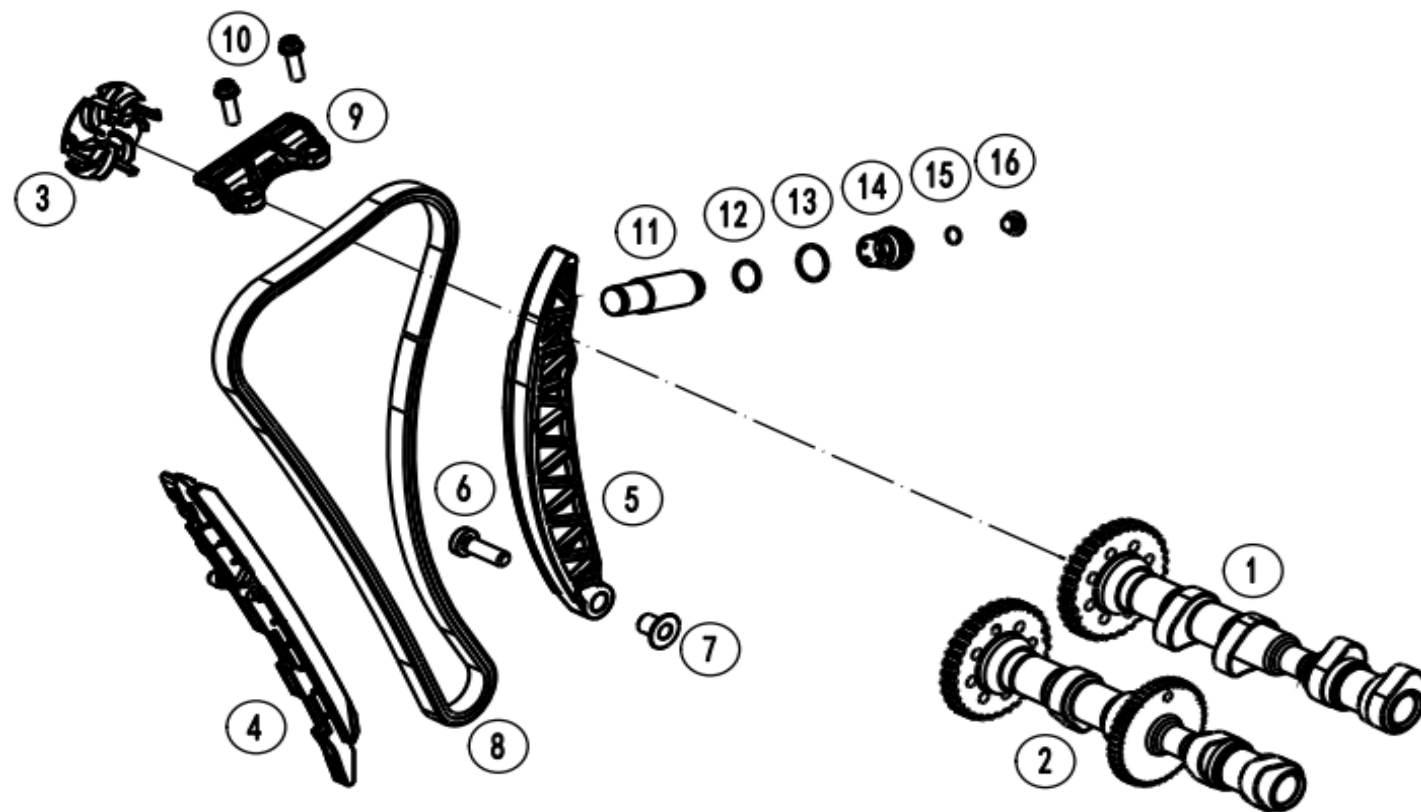
E02-2 气门 VALVE DRIVE





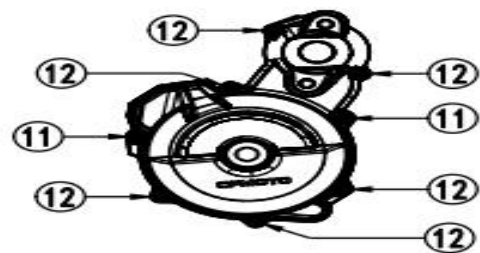
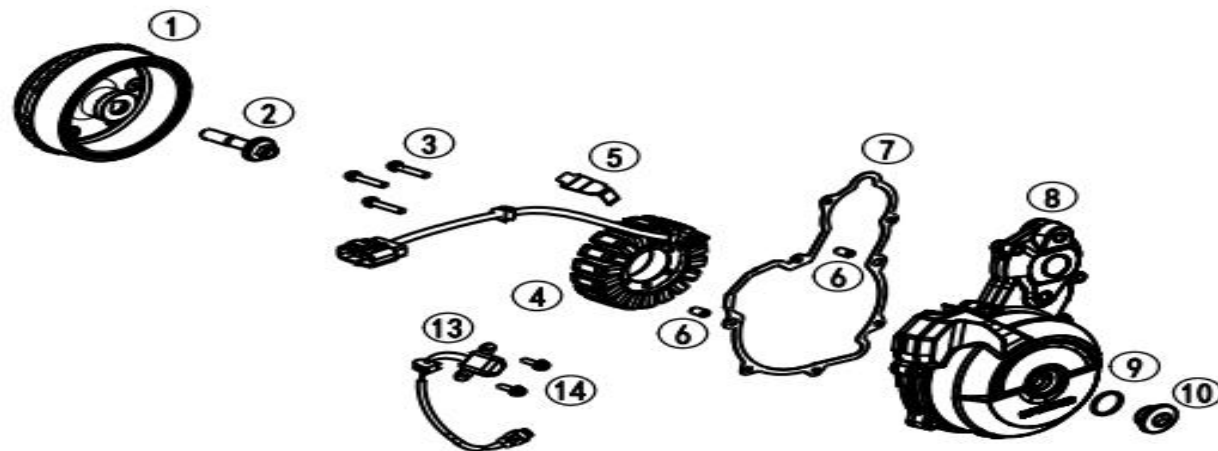
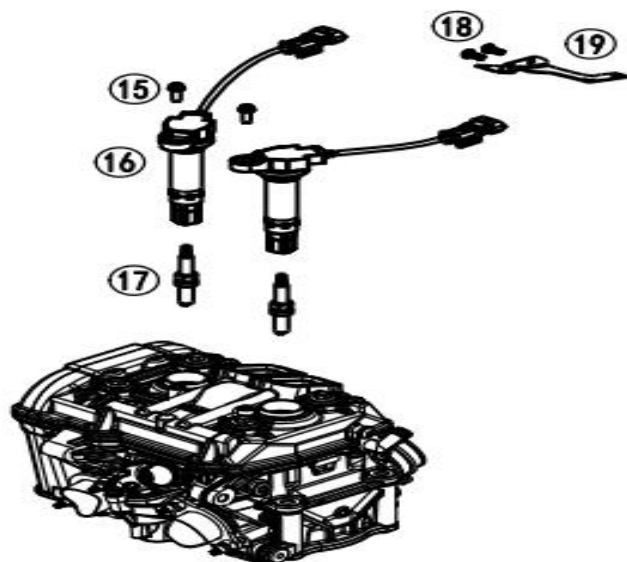
NO.	CODE	EN DESCRIPTION	QTY	REMARKS
E02-2-01	K-77236080000	SCREW PLUG	2	
E02-2-02	C07700900151	O-RING 9X1,5	2	
E02-2-03	C90036056000	CAM FOLLOWER SHAFT	4	
E02-2-04	C90036360000	CAM FELLOWER	8	
E02-2-05	C0912050083	CAP HEAD BOLT DIN 912 M5X8	4	
E02-2-06	C90036035220	SHIM D8,9 T=2.20	X	
E02-2-06	C90036035224	SHIM D8,9 T=2.24	X	
E02-2-06	C90036035228	SHIM D8,9 T=2.28	X	
E02-2-06	C90036035232	SHIM D8,9 T=2.32	X	
E02-2-07	C90036032100	VALVE SPRING RETAINER	8	
E02-2-08	C90036033000	VALVE COLLET	16	
E02-2-10	C90036027100	VALVE GUIDE SEALING	8	
E02-2-11	C90036036000	VALVE SPRING WASHER	8	
E02-2-12	C90036030000	INLET VALVE	4	
E02-2-13	C90036031000	EXHAUST VALVE	4	
E02-2-14	C90036056050	AXIALCLIP FOR CAM FOLLOWER	1	
E02-2-15	C90036028100	VALVE SPRING	8	
E02-2-99	C90036028044	VALVE SPRING KIT	1	

E02-3 正时 TIMING DRIVE



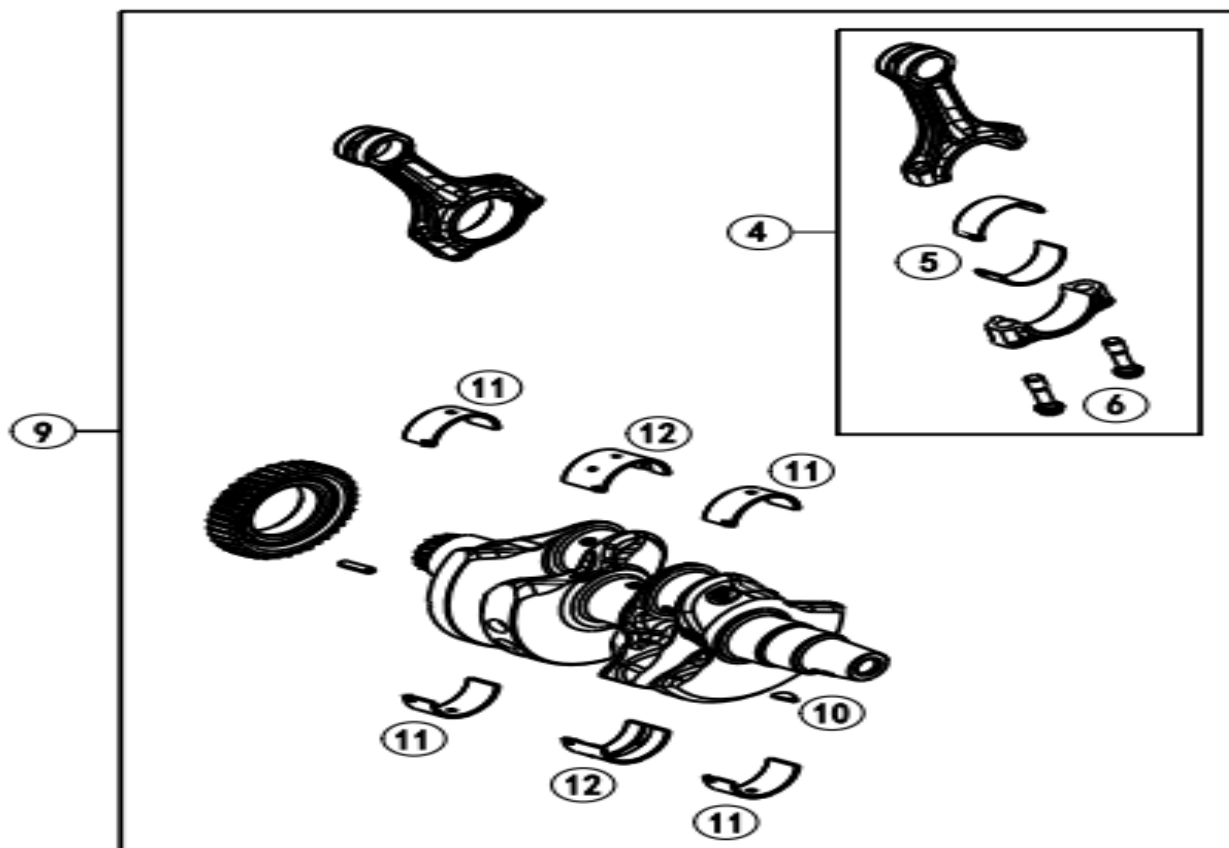
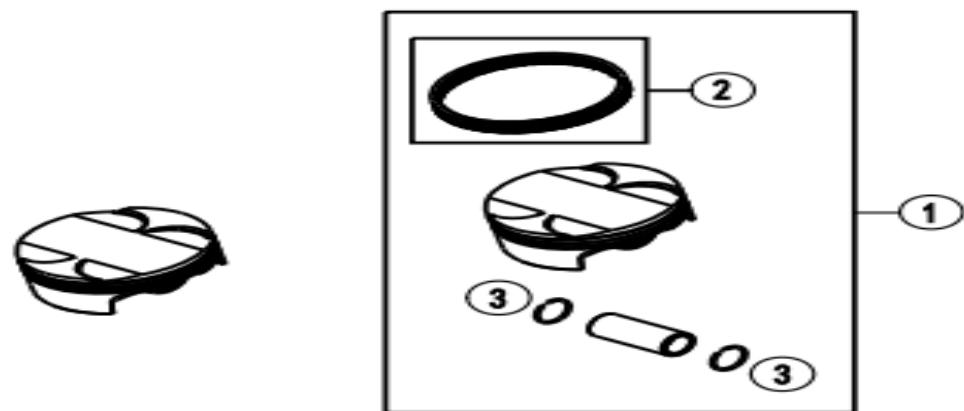
NO.	CODE	EN DESCRIPTION	QTY	REMARKS
E02-3-01	C90036009044	CAMSHAFT INLET(ASSEMBLY)	1	
E02-3-02	C90036010044	CAMSHAFT EXHAUST (ASSEMBLY)	1	
E02-3-03	C90036080000	VENTING CENTRIFUGE	1	
E02-3-04	C90036101000	GUIDE RAIL	1	
E02-3-05	C90036102100	SLIDE RAIL	1	
E02-3-06	C0035080256S	SCREW M8X25	1	
E02-3-07	C90036002150	COLLAR BUSHING	1	
E02-3-08	C90036013000	TIMING CHAIN 132 LIMBS	1	
E02-3-09	C90036105000	SLIDE BAR TOP COMPL.	1	
E02-3-10	C0025060206S	SCREW M6X20	2	
E02-3-11	C90036003100	CHAIN TENSION ADJUSTER	1	
E02-3-12	C0770180020	O-RING 18X2 NBR 70	1	
E02-3-13	C0770220020	O-RING 22X2 NBR 70	1	
E02-3-14	C90036008200	SCREW CHAIN TENSION ADJUSTER CPL.	1	
E02-3-15	C0770010010	O-RING D10X1	1	
E02-3-16	K-77236080000	SCREW PLUG	1	

E03 磁电机盖 IGNITION COVER



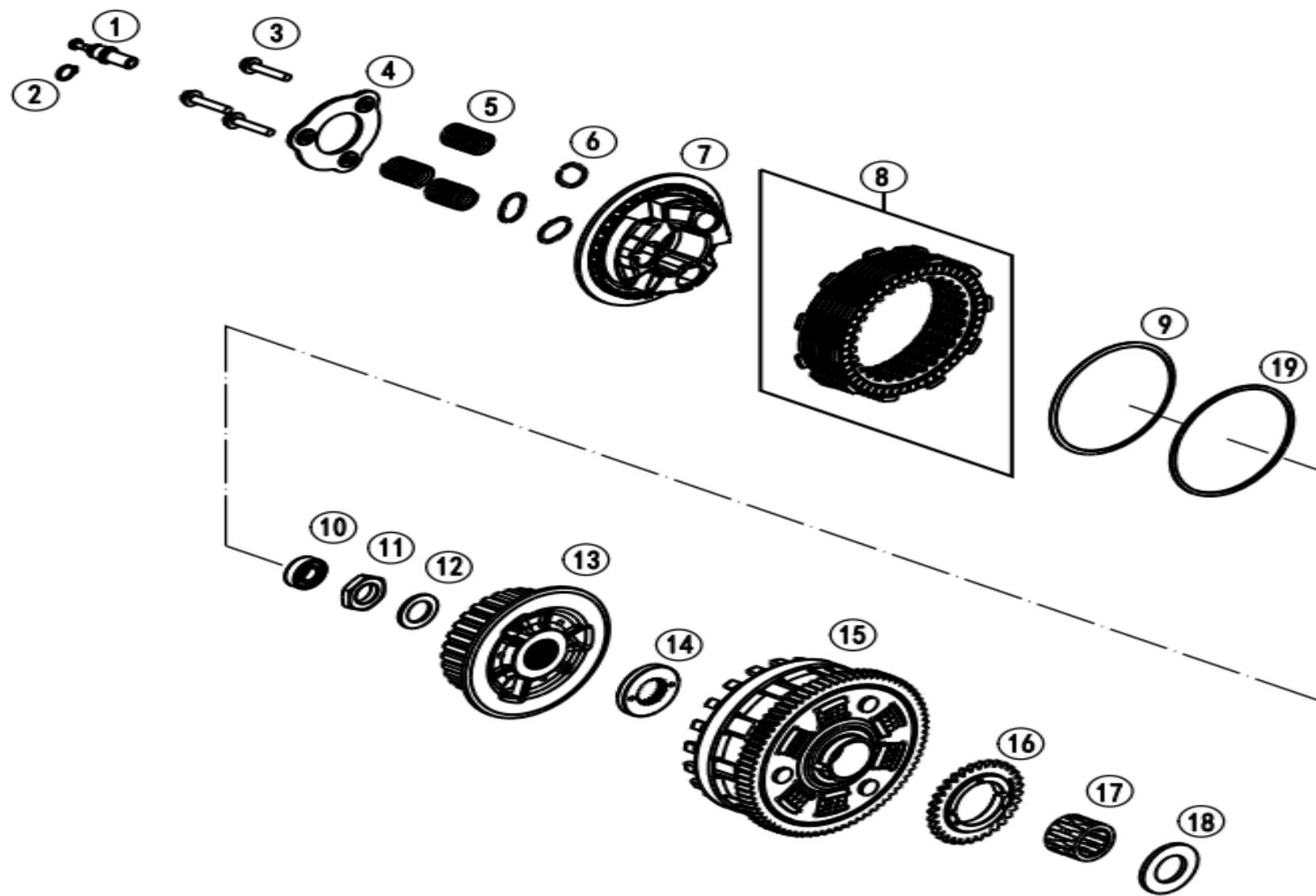
NO.	CODE	EN DESCRIPTION	QTY	REMARKS
E03-01	C90039005000	ROTOR CPL.	1	
E03-02	K-60339003000	SPECIAL SCREW M12X1,5 WS15	1	
E03-03	C0025060306S	SCREW M6X30	3	
E03-04	C90039004000	STATOR	1	
E03-05	C90039040020	CABEL RETAINING BRACKET	1	
E03-06	C90030024000	FITTING SLEEVE 6X8X11	2	
E03-07	C90030040000	IGNITION COVER GASKET	1	
E03-08	C9003000200024	IGNITION COVER	1	
E03-08	C90030002000FBP	IGNITION COVER	1	
E03-09	C07700240251	FITTING SLEEVE 24X2,5	1	
E03-10	C90030094000FHB	CAP M24X1,5 (GRAY)	1	
E03-10	C90030094000	PLUG M24X1.5 PA 6.6	1	
E03-11	C0025060356	SCREW M6X35	2	
E03-12	C0025060306	SCREW M6X30	6	
E03-13	C90039034000	PICKUP SENSOR	1	
E03-14	C0025050166S	SCREW M5X16	2	
E03-15	C0025060166	SCREW M6X16	2	
E03-16	C90039006100	IGNITION COIL	2	
E03-17	C90039093000	SPARK PLUG M10X1	2	
E03-18	30118-480130010	SELF-TAPPING SCREW ST4.8x13	2	
E03-19	C90011038000	RETAINING BRACKET SLS CPL.	1	

E04 曲轴 CRANKSHAFT



NO.	CODE	EN DESCRIPTION	QTY	REMARKS
E04-01	C90030107033	PISTON CPL. (D88/20)	2	
E04-02	C90030131044	PISTON RING SET D=88MM	2	
E04-03	C90030174000	CIRCLIP	4	
E04-04	C9003001504401	CONROD ASSY BLUE	2	
E04-05	C9003001504402	CONROD ASSY RED	2	
E04-06	C900300140001	CONNECTING ROD BEARING SHELL 38/41/16 BLUE	X	
E04-07	C900300140002	CONNECTING ROD BEARING SHELL 38/41/16 RED	X	
E04-08	C90030013000	CONNECTING ROD SCREW M8X0,75	4	
E04-09	C90030014044	CRANKSHAFT CMPL	1	
E04-10	C0888040050	SPRING WASHER D13/4	1	
E04-11	C900300820002	MAIN BEARING SHELL 38/42/18 RED	X	
E04-11	C900300820001	PLAIN BEARING SHELL BLUE 38/42/18	X	
E04-12	C900301820001	MAIN BEARING SHELL WITH GROOVE 38/42/25 BLUE	X	
E04-12	C900301820002	MAIN BEARING SHELL WITH GROOVE 38/42/25 RED	X	

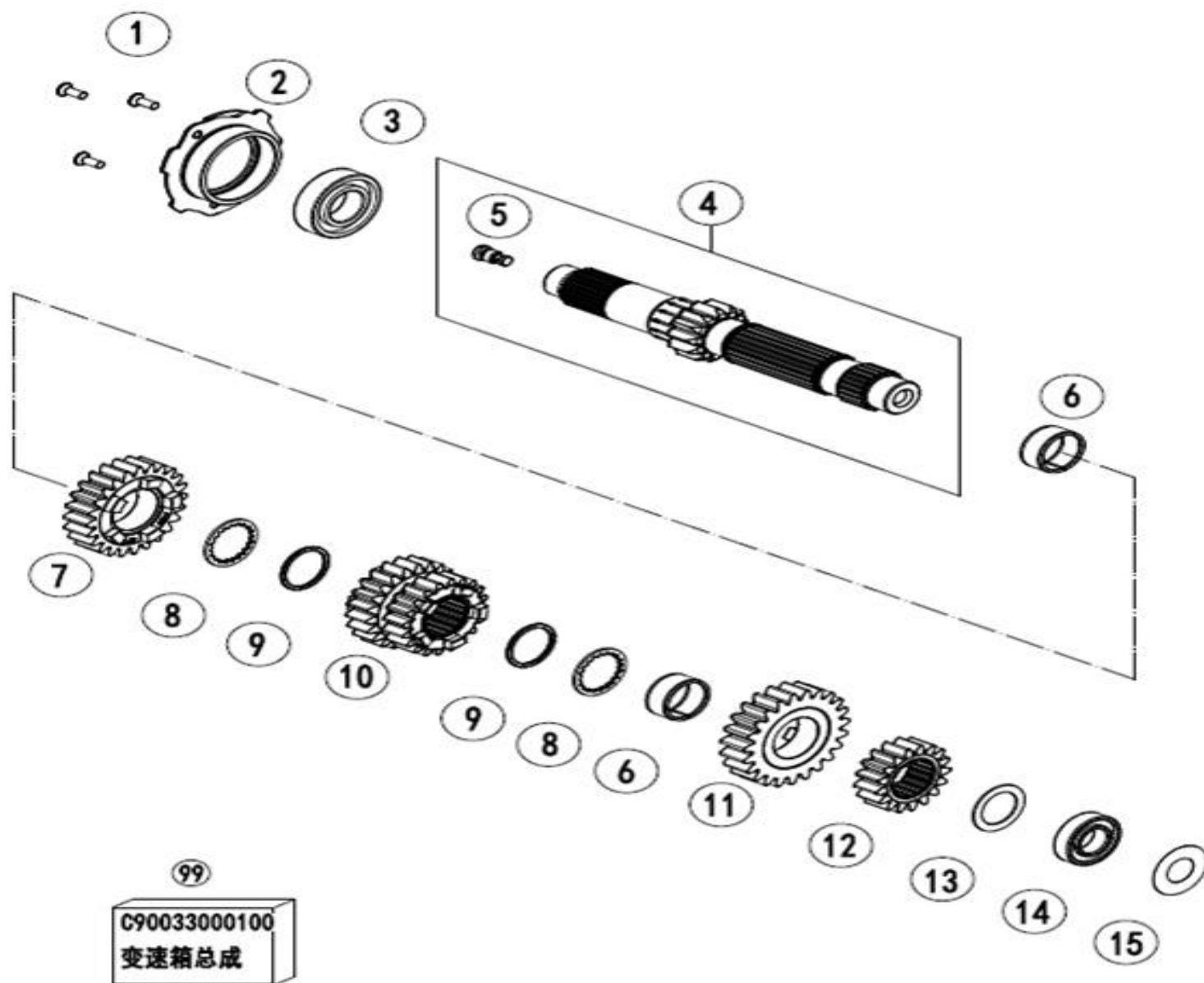
E05 离合器 CLUTCH





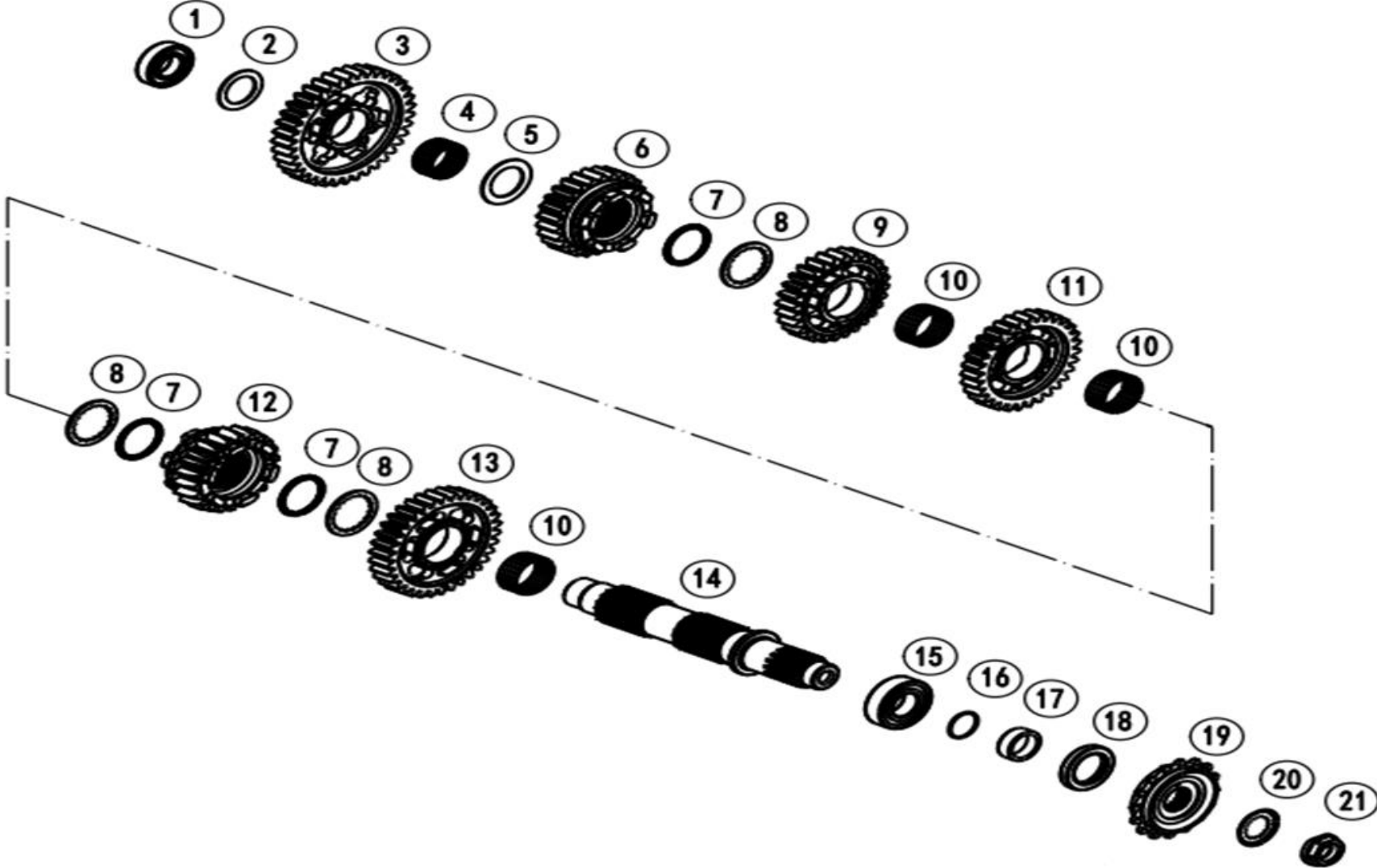
NO.	CODE	EN DESCRIPTION	QTY	REMARKS
E05-01	C90032048104	TENSION BOLT	1	
E05-02	C0471120010	SEGER RING	1	
E05-03	C90032044000	HEX BOLT M6	3	
E05-04	C90032006000	STOP PLATE	1	
E05-05	C90032005000	CLUTCH SPRING	3	
E05-06	C90032041000	SPRING PLATE	3	
E05-07	C90032003000	PRESSURE CAP	1	
E05-08	C90832011010	CLUTCH PLATE PACK	1	
E05-09	C90032034000	SPRING RETAINER	1	
E05-10	C0625060016	BEARING 12/28/8 (TORQUE LIMITER)	1	
E05-11	C90036073150	HEX NUT M20X1,5 H=6	1	
E05-12	C0252012103100	LOCK WASHER HLS 20	1	
E05-13	C90032002000	INNER CLUTCH HUB	1	
E05-14	C90032021000	TOOTHED WASHER	1	
E05-15	C90032001044	OUTER CLUTCH HUB CPL.	1	
E05-16	C90038001232	OIL PUMP DRIVE WHEEL 32Z	1	
E05-17	C0405263525	NEEDLE BEARING 26/35/25	1	
E05-18	C90032020000	WASHER 26/47/2.8	1	
E05-19	C90032035000	SUPPORT RING	1	
E05-99	C90032100000	CLUTCH CPL.	1	

E06-1 主轴 MAIN SHAFT



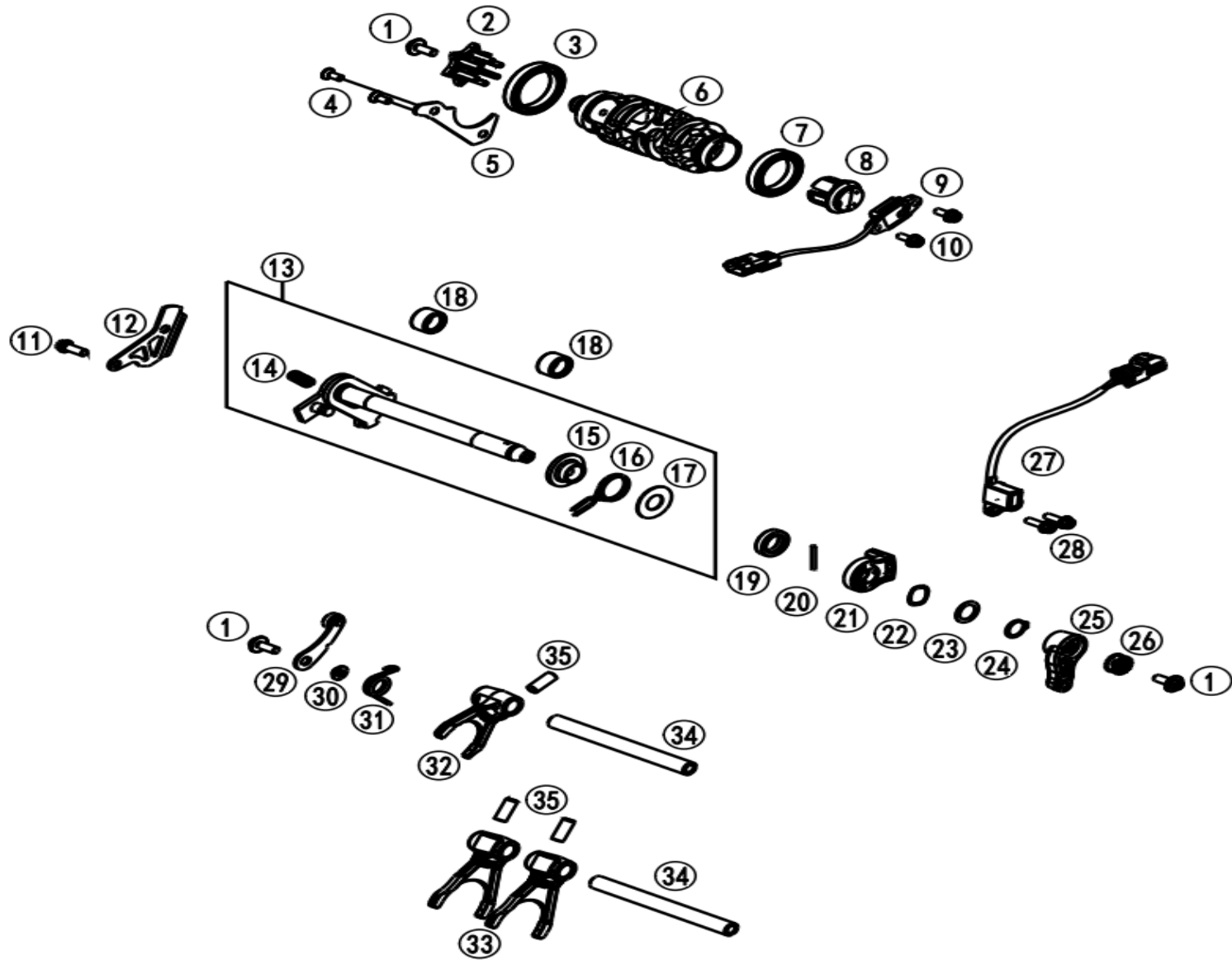
NO.	CODE	EN DESCRIPTION	QTY	REMARKS
E06-1-01	C010642060166S	SCREW	3	
E06-1-02	C90030068000	BEARING FLANGE	1	
E06-1-03	C0625062280	GROOVED BALL BEARING 28X58X16 62/28	1	
E06-1-04	C90033001044	DRIVE SHAFT PREASSEMBLED	1	
E06-1-05	C90033001030	REDUCER 0,3MM M8	1	
E06-1-06	C0405242813G	NEEDLEBEARING K 24X28X13 GETEILT	2	
E06-1-07	C90033005000	IDLER GEAR 5.G	1	
E06-1-08	C90033045000	TOOTHED WASHER D27	2	
E06-1-09	C0471026000	CIRCLIP D26	2	
E06-1-10	C90033003000	SLIDING GEAR 3/4.G	1	
E06-1-11	C90033006000	IDLER GEAR 6.G	1	
E06-1-12	C90033002000	SOLID GEAR 2.G	1	
E06-1-13	C90033032000	STOP DISC 22.2/31.7/1	1	
E06-1-14	C0625068911	DEEP GROOVE BALL BEARINGS 22/45/12 60/22	1	
E06-1-15	C90033088000	SEALING DISC 22X45X0,2	1	
E06-1-99	C90033000100	GEARBOX CPL.(RAUNAQ)	1	

E06-2 副轴 COUNTER SHAFT



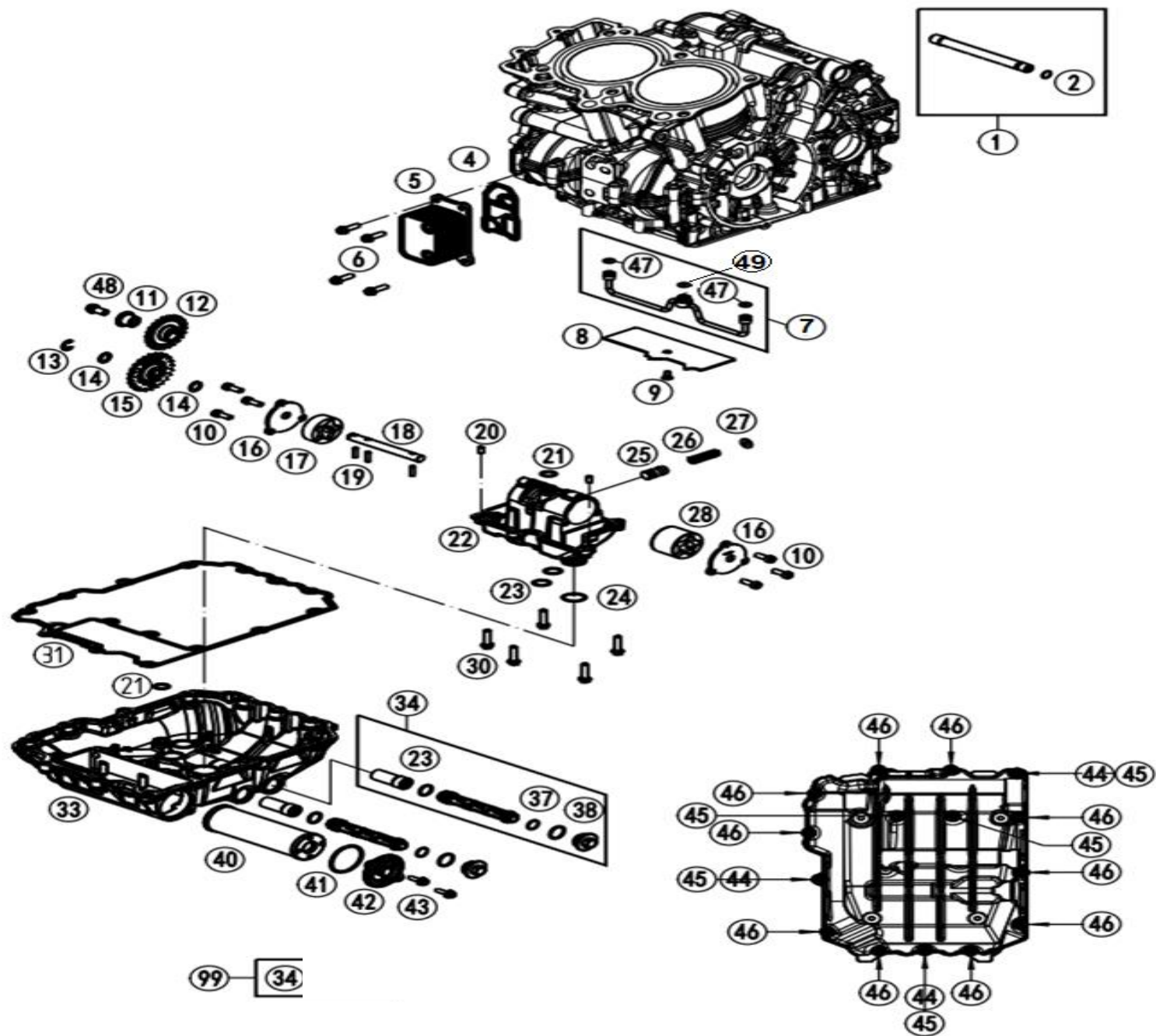
NO.	CODE	EN DESCRIPTION	QTY	REMARKS
E06-2-01	C0625068911	DEEP GROOVE BALL BEARINGS 22/45/12 60/22	1	
E06-2-02	C90033032000	STOP DISC 22.2/31.7/1	1	
E06-2-03	C90033011000	IDLER GEAR 1.G	1	
E06-2-04	C0405242813	NEEDLEBEARING 24X28X13	1	
E06-2-05	C90033034000	STOP DISC 24.3/35.75/1	1	
E06-2-06	C90033015000	SLIDING GEAR 5.G	1	
E06-2-07	C0471029000	SPIRD RETAINING RING D29	3	
E06-2-08	C90033033000	STOP DISC 27/36/1.5	3	
E06-2-09	C90033014000	IDLER GEAR 4.G	1	
E06-2-10	C0405263013G	NEEDLEBEARING 26X30X13 GETEILT	3	
E06-2-11	C90033013000	IDLER GEAR 3.G	1	
E06-2-12	C90033016000	SLIDING GEAR 6.G	1	
E06-2-13	C90033012000	IDLER GEAR 2.G	1	
E06-2-14	C90033010000	OUTPUT SHAFT	1	
E06-2-15	C90030024000	FITTING SLEEVE 6X8X11	1	
E06-2-16	C0770020220	O-RING 25,12/1,78	1	
E06-2-17	C90033032011	DISTANCE BUSHING 11MM	1	
E06-2-18	C0760003247000	SHAFT SEAL RING 32/47/7	1	
E06-2-19	C90033029116	SPROCKET 16Z DAMPED	1	
E06-2-20	K-51033031000	LOCK WASHER	1	
E06-2-21	C90033032300	NUT	1	

E06-3 换挡机构 SHIFTING MECHANISM



NO.	CODE	EN DESCRIPTION	QTY	REMARKS
E06-3-01	C0024060156S	SCREW M6X15	1	
E06-3-02	C90034015000	SHIFT STAR	1	

NO.	CODE	EN DESCRIPTION	QTY	REMARKS
E06-3-03	C0625068070	DEEP GROOVE BALL BEARINGS 35/47/7	1	
E06-3-04	C0019050121S	SCREW M5X12	2	
E06-3-05	C90034011200	BEARING RETAINING BRACKET SHIFT DRUM	1	
E06-3-06	C90034012001	SHIFT DRUM	1	
E06-3-07	C0625068060	DEEP GROOVE BALL BEARINGS 30/42/7	1	
E06-3-08	C90034012020	MAGNET HOLDER CPL.	1	
E06-3-09	C90011023100	GEAR POSITION SENSOR	1	
E06-3-10	C0025050126	SCREW M5X12	2	
E06-3-11	C0025060166S	SCREW M6X16	1	
E06-3-12	C90033022000	BEARING LOCK WASHER (SHIFT SHAFT STOP)	1	
E06-3-13	C90034005033	SHIFT SHAFT CPL.	1	
E06-3-14	C90034013100	TORSION SPRING 0.8MM	1	
E06-3-15	C90034020000	SPRING GUIDE	1	
E06-3-16	C90034014000	RETURN SPRING	1	
E06-3-17	C90034050001	STOP DISC 14X30X1	1	
E06-3-18	C90032095000	NEEDLE SLEEVE 14/20/12	2	
E06-3-19	C0760142460	SHAFT SEAL RING 14/24/6	1	
E06-3-20	C0007025241	STUD 2,5X24	1	
E06-3-21	C90034050000	MAGNET HOLDER	1	
E06-3-22	C90034050010	WAVE SPRING	1	
E06-3-23	C0988142005	SHIM 14X20X0,5	1	
E06-3-24	C0471140100	SEEGER RING 14X1	1	
E06-3-25	C9003403000033	LINK SUPPORT CAM	1	
E06-3-26	C90033041500	NORDLOCK WASHER M6	1	
E06-3-27	C90034051100	SHIFT SHAFT SENSOR	1	
E06-3-28	C0984050123S	BOLT DIN6912 M5X12 8.8	2	
E06-3-29	C63534024000	LOCKING LEVER	1	
E06-3-30	C90034052000	STEP WASHER	1	
E06-3-31	C90034023000	SPRING ARREST ARM	1	
E06-3-32	C90034002000	SHIFT FORK	1	
E06-3-33	C90034001000	SHIFT FORK	2	
E06-3-34	C90034019100	SHIFT FORK SHAFT	2	
E06-3-35	C0402080200	NEELDE ROLLER D8X20	3	

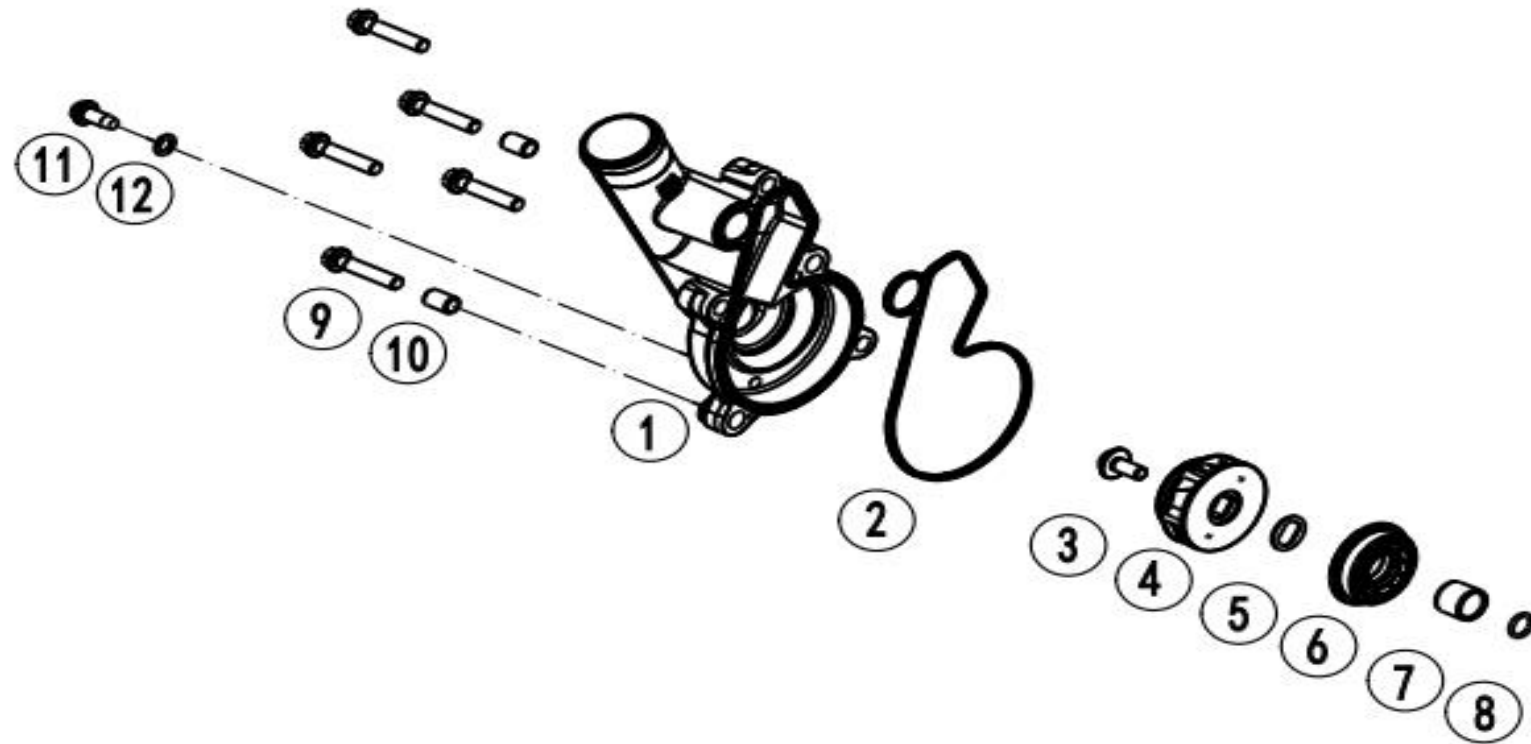




NO.	CODE	EN DESCRIPTION	QTY	REMARKS
E07-01	C90030065000	GEARBOX INJECTION PIPE CPL.	1	
E07-02	C0770010010	O-RING D10X1	1	
E07-04	C90038051000	OIL COOLER GASKET	1	
E07-05	C90038050000	OIL/WATTER HEAT EXCHANGER CPL.	1	
E07-06	C0025060206S	SCREW M6X20	4	
E07-07	C90038035000	OIL HOSE CPL.	1	
E07-08	C90030086010	PRESSURE PLATE	1	
E07-09	C0019050121S	SCREW M5X12	1	
E07-10	C014580060126S	CYL. SCREW M6X12	6	
E07-11	C90038003000	BEARING BOLT	1	
E07-12	C90038001022	OIL PUMP IDLER GEAR 22Z	1	
E07-13	C0799080000	LOCK WASHER DIN 6799 - RS 8	1	
E07-14	C90038007010	THRUST WASHER 10/16/0,5	1	
E07-15	C90038001224	OIL PUMP GEAR 24Z	1	
E07-16	C90038008050	OIL PUMP COVER	2	
E07-17	C90038009014	EATON PUMP SET CPL. 14MM	1	
E07-18	C90038002000	OIL PUMP SHAFT	1	
E07-19	C0402041580	NEEDLE ROLLER 4X15.8	3	
E07-20	C0402050980	NEEDLE ROLLER 5X9.8	2	
E07-21	C0770120020	O-RING 12X2	2	
E07-22	C90038012000	OIL PUMP HOUSING	1	
E07-23	C0770140200	O-RING 14X2 NBR 70 SHORE	4	
E07-24	C0770020020	O-RING 20X2 NBR 70	1	
E07-25	C90038128000	CONTROL PISTON	1	
E07-26	C90038026000	OIL COMPRESSION SPRING	1	
E07-27	C90037073000	SHIM	1	
E07-28	C90038010000	EATON PUMP SET 30 MM	1	
E07-30	C0025060256	SCREW M6X25	5	
E07-31	C90030086100	OIL+SUMP+GASKET	1	
E07-33	C9003008500024	OIL PAN	1	
E07-34	C90038021200	OIL SCREEN CPL.	2	
E07-40	C90038015200	OILFILTER(WITH BYPASS)	1	
E07-41	C07700390261	O-RING 39,34X2,62	1	

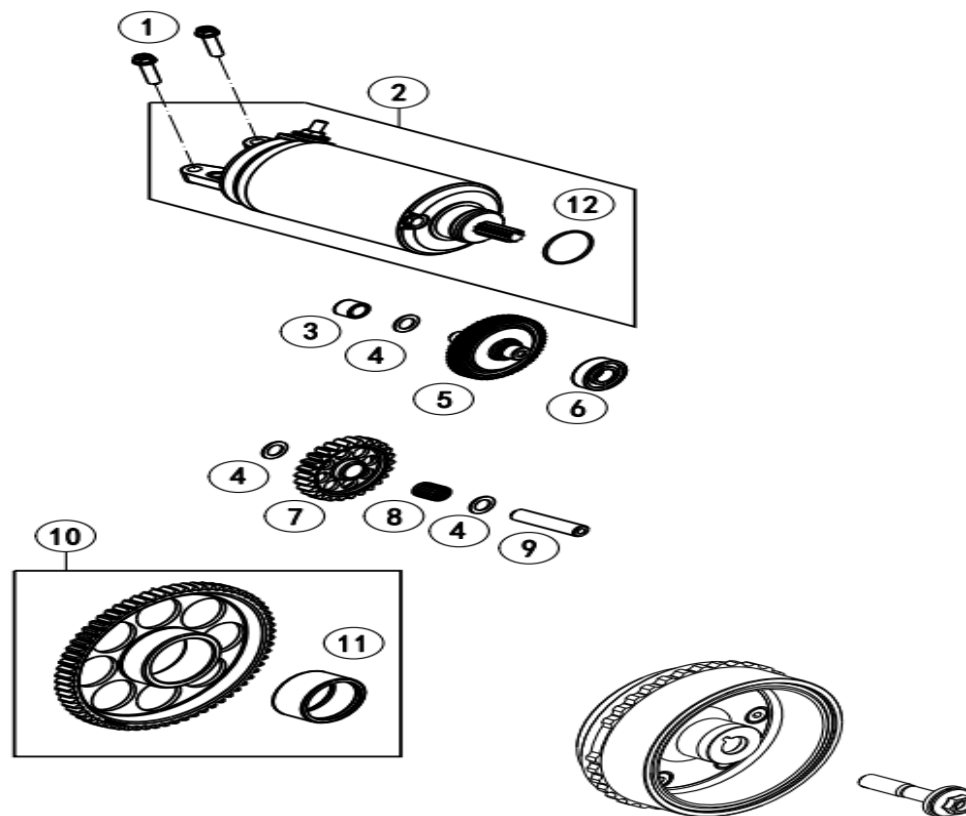
NO.	CODE	EN DESCRIPTION	QTY	REMARKS
E07-42	C90038041200	OILFILTER COVER	1	
E07-43	C0025050166	SCREW M5X16	2	
E07-44	C90030024000	FITTING SLEEVE 6X8X11	3	
E07-45	C0025060356	SCREW M6X35	5	
E07-46	C0025060306	SCREW M6X30	10	
E07-47	C0770060025	O-RING 6X2,5	2	
E07-48	C0025080166S	CYL. SCREW M8X16	1	
E07-49	C0770070025	O-RING 7X2,5	1	

E08 水泵盖 WATER PUMP COVER



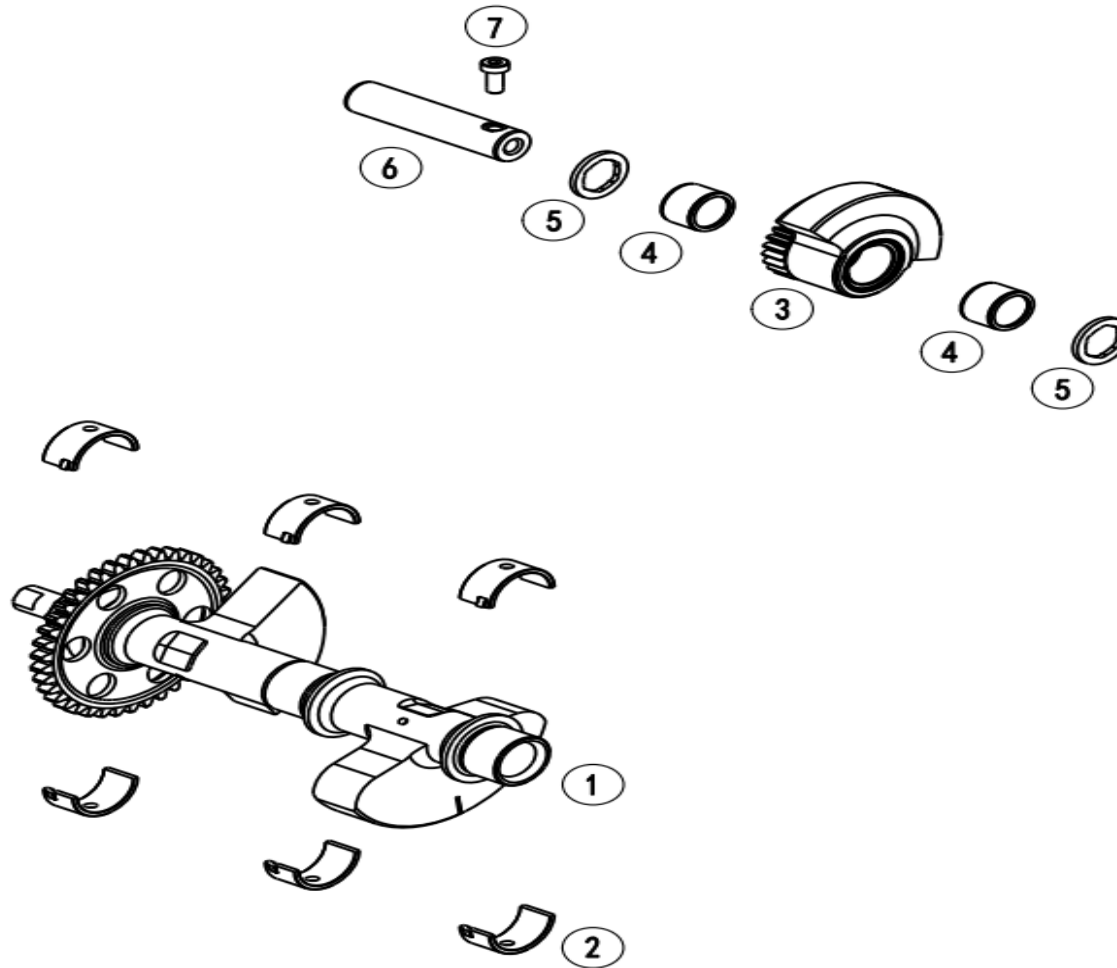
NO.	CODE	EN DESCRIPTION	QTY	REMARKS
E08-01	C90035052000FBP	WATER PUMP COVER	1	
E08-02	C90035053100	WATER PUMP COVER GASKET	1	
E08-03	C0024060136S	SCREW M6X13	1	
E08-04	C90035055000	WATER PUMP WHEEL	1	
E08-05	C90035055150	SUPPORT DISC	1	
E08-06	K0760153459	SHAFT SEAL RING	1	
E08-07	C90036072020	WEAR BUSHING	1	
E08-08	C07700900151	O-RING 9X1,5	1	
E08-09	C0025060306S	SCREW M6X30	5	
E08-10	C90030024000	FITTING SLEEVE 6X8X11	2	
E08-11	C0025060126	SCREW M6X12	1	
E08-12	C0603061002	SEAL RING 6/10/1	1	

E09 启动电机 STARTER



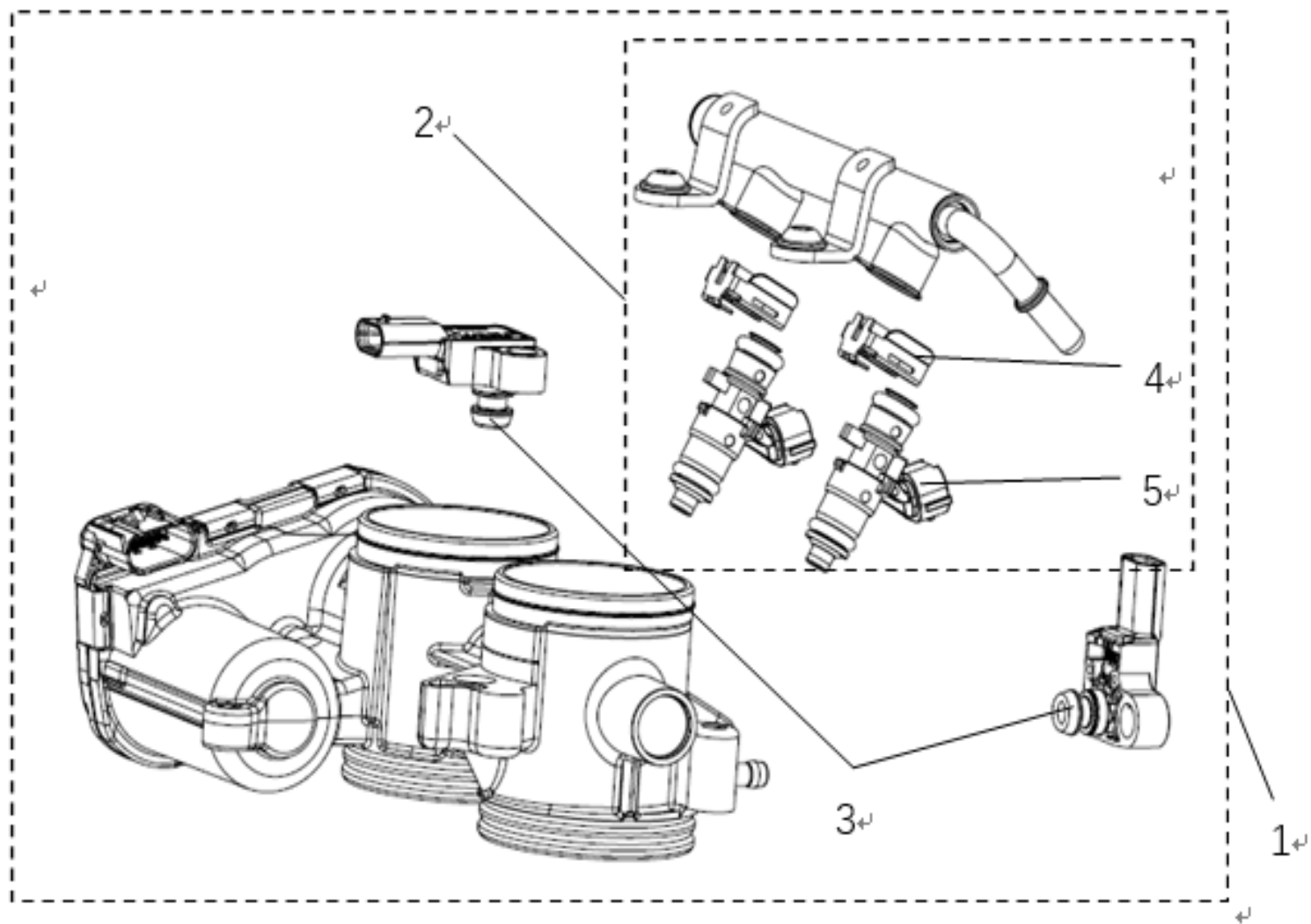
NO.	CODE	EN DESCRIPTION	QTY	REMARKS
E09-01	C0025060256	SCREW M6X25	2	
E09-02	C90040001000	E STARTER MOTOR 9Z	1	
E09-03	C0618101410	NEEDLE SLEEVE 10/14/10	1	
E09-04	C90038007010	THRUST WASHER 10/16/0,5	3	
E09-05	C90040017100	TORQUE LIMITER CPL. 10/55Z	1	
E09-06	C0625060016	BEARING 12/28/8 (TORQUE LIMITER)	1	
E09-07	C90040022000	STARTER IDLER GEAR 26Z	1	
E09-08	C90040090000	NEEDLE BEARING 10/13/13	1	
E09-09	C90040029000	BEARING BOLT	1	
E09-10	C90040020000	FREEWHEEL GEAR CPL. 66Z	1	
E09-11	C0618354220	NEEDLE SLEEVE 35/42/20 HK3520	1	
E09-12	C0770244031	O-RING 24.40X3.10 NBR 70	1	

E16 平衡轴 BALANCER SHAFT



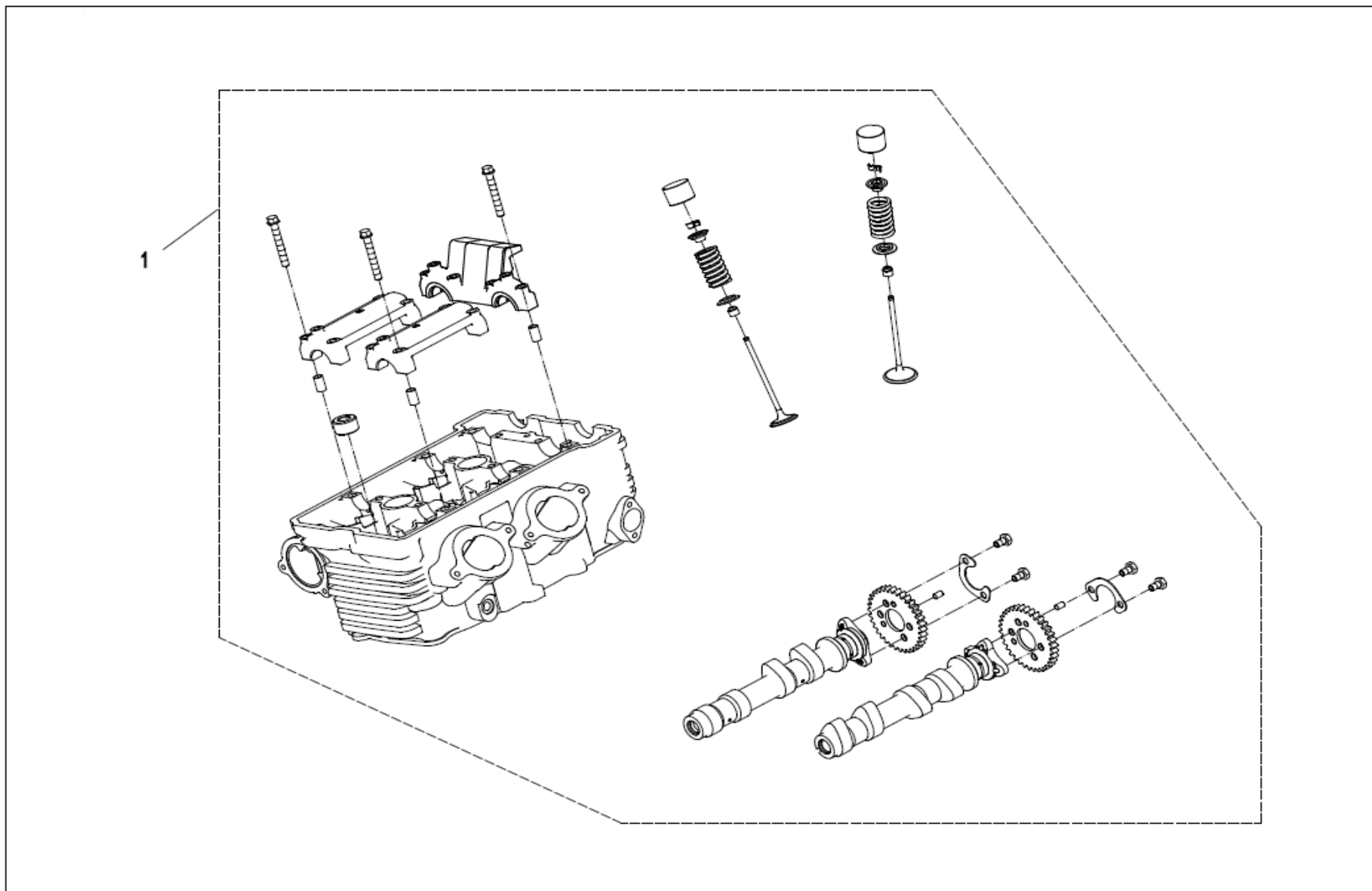
NO.	CODE	EN DESCRIPTION	QTY	REMARKS
E16-01	C90030057044	BALANCING SHAFT FRONT CPL.	1	
E16-02	C90030057050	BEARING SHELL BALANCER SHAFT	6	
E16-03	C90030059100	BALANCING SHAFT ABOVE CPL.	1	
E16-04	C0405151913	NEEDLE BEARING 15/19/13	2	
E16-05	C90030059060	THRUST WASHER	2	
E16-06	C90030059050	BEARING BOLT	1	
E16-07	C0984050123S	BOLT DIN6912 M5X12 8.8	1	

E17 节气门阀体和喷油器 THROTTLE&INJECTOR



NO.	CODE	EN DESCRIPTION	QTY	REMARKS
E17-01	OPW0-173000	THROTTLE BODY ASSY	1	
E17-02	OPW0-171000	FUEL PIPE ASSY	1	
E17-03	OHU0-173200	AIR INTAKE PRESSURE SENSOR	2	
E17-04	OJYA-170001	CLASP	2	
E17-05	OPW0-171100	FUEL INJECTOR	2	

E21 气缸盖套件 CYLINDER HEAD SYSTEM KIT



NO.	CODE	EN DESCRIPTION	QTY	REMARKS
E21-01	C9003609900024	REPAIR KIT CYLINDER HEAD FOR CFMOTO	1	
E21-01	C90036099000FBP	CYLINDER HEAD	1	